



Nipper technology | Air nippers – manual and automatic operation

Blades for plastic, angled

Blades for plastic, angled



Product notes

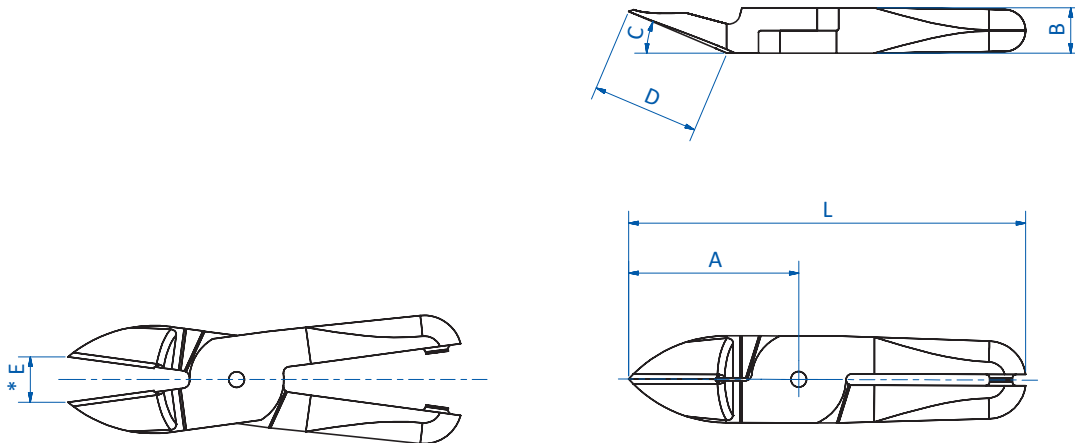
- > Blades with angled cutting edge
- > Model PF: blades with deep angle
- > All other blades with standard angle

Technical data

Item no.	Material	Max. cutting thickness [mm]		Weight [g]	Air nippers
		PP/PE	ABS		
N3AP	Ferrous alloy	2	--	35	GT-N3 (p.288), GT-NR3 (p.286), GT-NS3 (p.286)



Dimensions



* = width of opening

Item no.	A [mm]	B [mm]	C [°]	D [mm]	E [mm]	L [mm]
N3AP	24	7	15	11.5	4	64