



Blades for metal, straight



Model BJ

Product notes

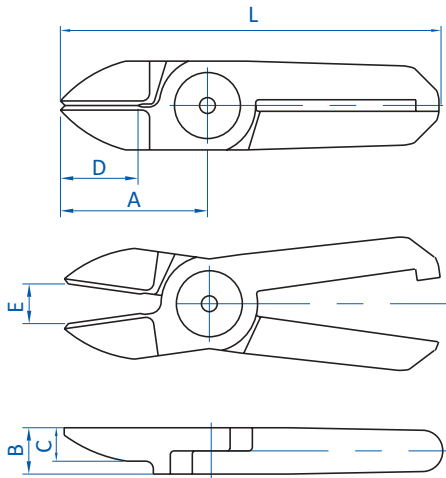
- > Straight blades with one unbeveled cutting edge using the anvil principle or with carbide tips for extra strength
- > BJ: blades using anvil principle to cut thin wire
- > N20BFB: blades in clipper type shape with carbide tips to cut thicker wire or thin pipes

Technical data

Item no.	Material	Max. cutting thickness [mm]			Weight [g]	Air nippers
		Copper wire	Steel wire	Piano wire		
N3BJ	Ferrous alloy	1	0.5	--	35	GT-N3 GT-NR3 GT-NS3



Dimensions



Item no.	A [mm]	B [mm]	C [mm]	D [mm]	E [mm]	L [mm]
N3BJ	24	7	5.8	13	5	64