



Blades for plastic, angled



Product notes

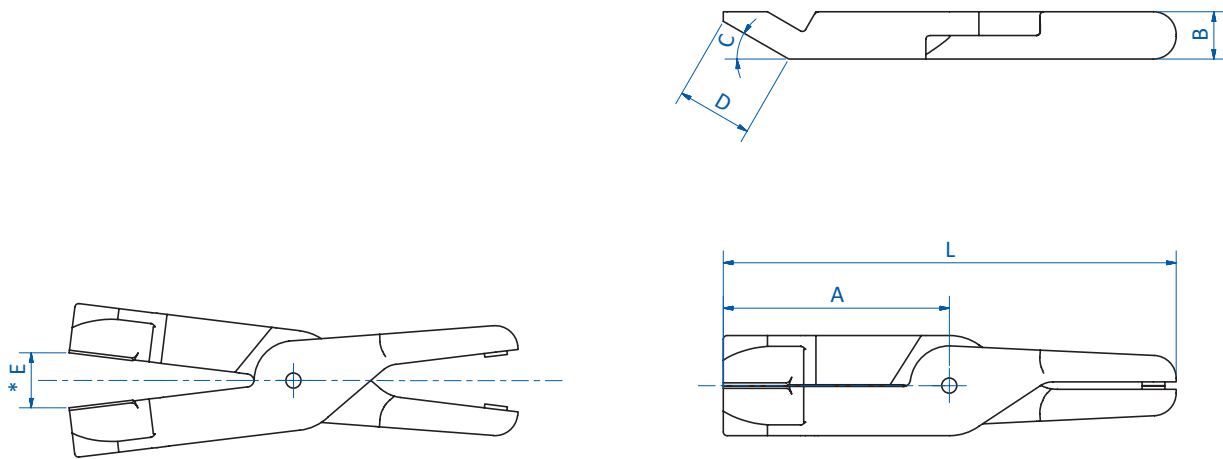
- > Blades with angled cutting edge
- > Model PF: blades with deep angle
- > All other blades with standard angle

Technical data

Item no.	Material	Max. cutting thickness [mm]		Weight [g]	Air nippers
		PP/PE	ABS		
N50AB	HSS steel	15	8	1,100	GT-N50 (p.288), GT-NR50 (p.286)



Dimensions



| N50AB

* = width of opening

Item no.	A [mm]	B [mm]	C [°]	D [mm]	E [mm]	L [mm]
----------	--------	--------	-------	--------	--------	--------

N50AB	90	25	30	33.5	21	210
-------	----	----	----	------	----	-----