



# Nipper technology | Air nippers – manual and automatic operation

Blades for plastic, straight

Blades for plastic, straight



## Product notes

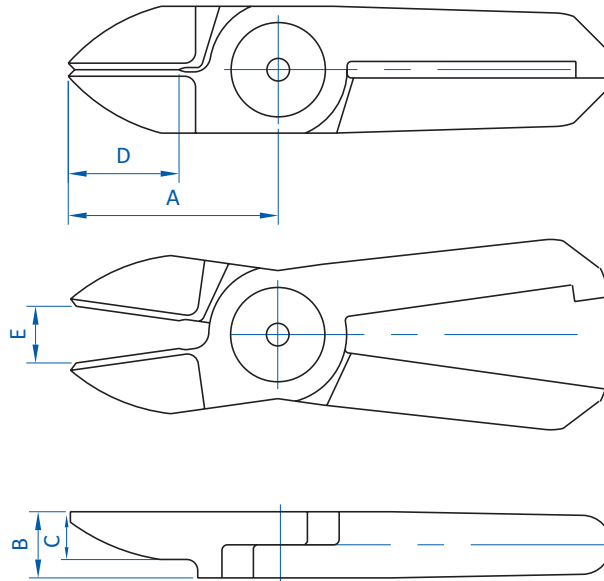
- > Blades with straight cutting edge for clean cuts
- > AJ, LAB2 and AB39: standard blade
- > AJL: blade extra long

## Technical data

Item no.	Material	Max. cutting thickness [mm]		Weight [g]	Air nippers
		PP/PE	ABS		
N50AJL	Ferrous alloy	15	8	1,430	GT-N50 GT-NR50



## Dimensions



Item no.	A [mm]	B [mm]	C [mm]	D [mm]	E [mm]
N50AJL	110	25	15	35	26