



### Blades for plastic, angled



#### Product notes

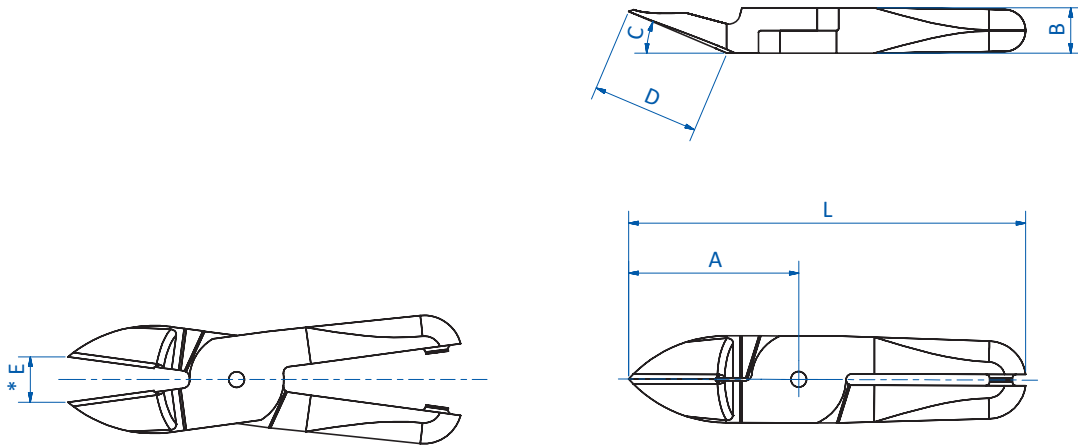
- > Blades with angled cutting edge
- > Model PF: blades with deep angle
- > All other blades with standard angle

#### Technical data

Item no.	Material	Max. cutting thickness [mm]		Weight [g]	Air nippers
		PP/PE	ABS		
N5AP	Ferrous alloy	2	--	40	GT-N5 (p.288), GT-NR5 (p.286), GT-NS5 (p.286)



## Dimensions



\* = width of opening

Item no.	A [mm]	B [mm]	C [°]	D [mm]	E [mm]	L [mm]
N5AP	24	7	15	11.5	4	64