



Blades for plastic, angled



Product notes

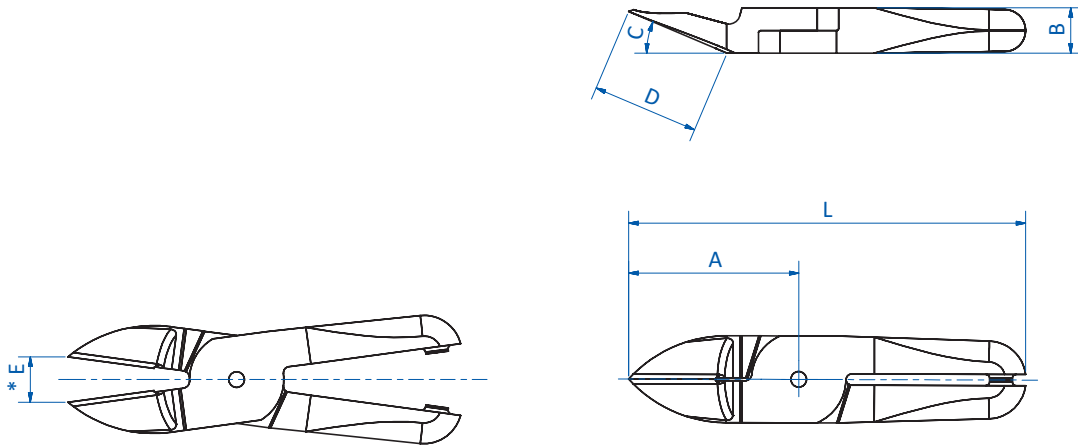
- > Blades with angled cutting edge
- > Model PF: blades with deep angle
- > All other blades with standard angle

Technical data

Item no.	Material	Max. cutting thickness [mm]		Weight [g]	Air nippers
		PP/PE	ABS		
N7AP	Ferrous alloy	3	2	80	GT-N7 (p.288), GT-NR7 (p.286), GT-NS7 (p.286)



Dimensions



* = width of opening

Item no.	A [mm]	B [mm]	C [°]	D [mm]	E [mm]	L [mm]
N7AP	27	9	30	11.5	4	81