



### Blades for metal, straight



Model BJ

### Product notes

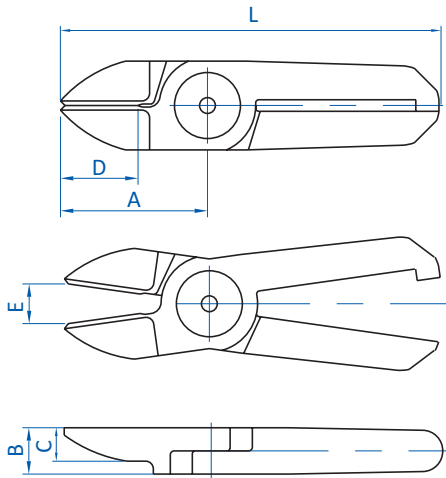
- > Straight blades with one unbeveled cutting edge using the anvil principle or with carbide tips for extra strength
- > BJ: blades using anvil principle to cut thin wire
- > N20BFB: blades in clipper type shape with carbide tips to cut thicker wire or thin pipes

### Technical data

Item no.	Material	Max. cutting thickness [mm]			Weight [g]	Air nippers
		Copper wire	Steel wire	Piano wire		
N7BJ	Ferrous alloy	1.6	1	--	75	GT-N7 GT-NR7 GT-NS7



## Dimensions



Item no.	A [mm]	B [mm]	C [mm]	D [mm]	E [mm]	L [mm]
<b>N7BJ</b>	27	9	7.5	13	5	81