



Nipper technology | Air nippers – manual and automatic operation

Blades for metal, angled

Blades for metal, angled



Product notes

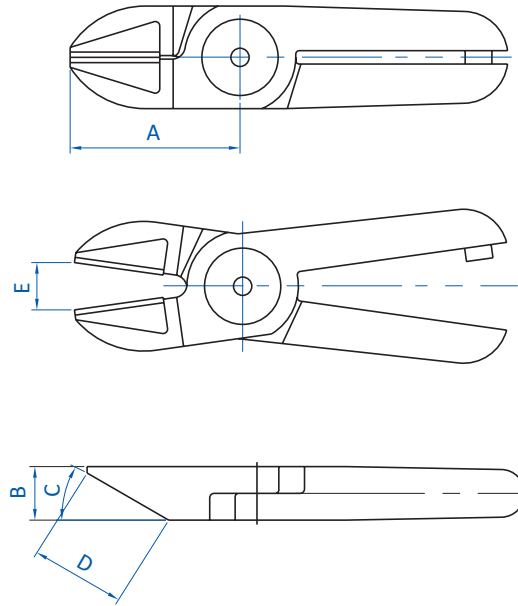
- > Blades with a beveled cutting edge using the anvil principle
- > N30BBB and N50BBB: blades with carbide tips to cut hard wire such as high steel wire or piano wire

Technical data

Item no.	Material	Max. cutting thickness [mm]			Weight [g]	Air nippers
		Copper wire	Steel wire	Piano wire		
N7HS	HSS steel	1.6	1	0.5	80	GT-N7, GT-NR7, GT-NS7



Dimensions



Item no.	A [mm]	B [mm]	C [°]	D [mm]	E [mm]
N7HS	27	9	30	13.5	4