



### Blades for plastic, angled



Model PF

#### Product notes

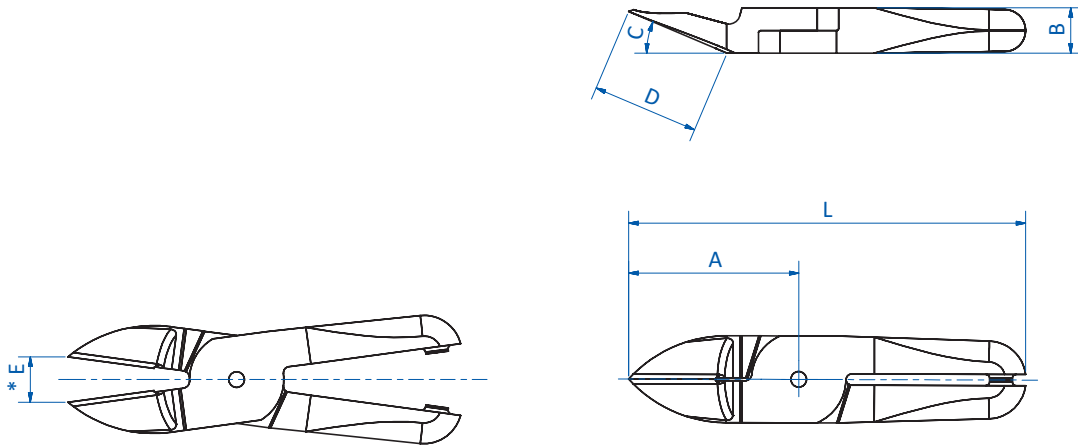
- > Blades with angled cutting edge
- > Model PF: blades with deep angle
- > All other blades with standard angle

#### Technical data

Item no.	Material	Max. cutting thickness [mm]		Weight [g]	Air nippers
		PP/PE	ABS		
<b>N7PF</b>	Ferrous alloy	3	2	80	GT-N7 (p.288), GT-NR7 (p.286), GT-NS7 (p.286)



## Dimensions



\* = width of opening

Item no.	A [mm]	B [mm]	C [°]	D [mm]	E [mm]	L [mm]
N7PF	27	9	40	10.5	4	81