



Nipper technology | Air nippers – stationary

Blades for plastic, for vertical air nippers, straight

Blades for plastic, for vertical air nippers, straight



Product notes

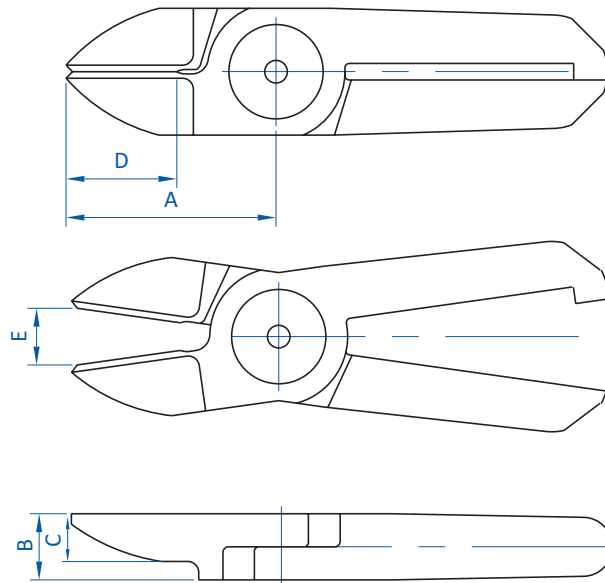
- > Straight blades that can be applied at the right angle to the gate
- > Models with a variety of cutting edges to cover different applications
- > AJ: standard blade
- > AJT: blade extra thin
- > AJL: blade extra long to overcome distance between sprue and nipper
- > AJB: brazed carbide tips for cutting hard plastics or plastics containing fiberglass, increased durability
- > AJH: brazed high-speed steel tip for cutting hard plastic

Technical data

Item no.	Material	Max. cutting thickness [mm]		Weight [g]	Air nippers
		PP/PE	ABS		
NT03AJ	Ferrous alloy	1.5	1	20	GT-NT03
NT03AJT	Ferrous alloy	1.5	1	19	GT-NT03



Dimensions



Item no.	A [mm]	B [mm]	C [mm]	D [mm]	E [mm]
NT03AJ	24	7	4	11	3
NT03AJT	24	7	2.3	11	3