



Nipper technology | Air nippers – stationary

Blades for plastic, for vertical air nippers, straight

Blades for plastic, for vertical air nippers, straight



Product notes

- > Straight blades that can be applied at the right angle to the gate
- > Models with a variety of cutting edges to cover different applications
- > AJ: standard blade
- > AJT: blade extra thin
- > AJL: blade extra long to overcome distance between sprue and nipper
- > AJB: brazed carbide tips for cutting hard plastics or plastics containing fiberglass, increased durability
- > AJH: brazed high-speed steel tip for cutting hard plastic

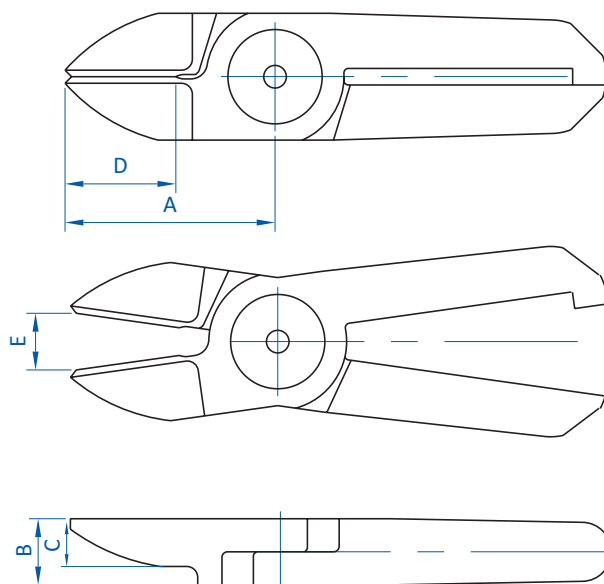
Technical data

Item no.	Material	Max. cutting thickness [mm]		Weight [g]	Air nippers
		PP/PE	ABS		

NT20AJ	Ferrous alloy	5	3.4	120	GT-NT20
NT20AJB	Ferrous alloy	5	3.4	120	GT-NT20
NT20AJH	HSS steel	5	3.4	120	GT-NT20
NT20AJL	Ferrous alloy	5	3.4	114	GT-NT20



Dimensions



Item no.	A [mm]	B [mm]	C [mm]	D [mm]	E [mm]
----------	--------	--------	--------	--------	--------

NT20AJ	40	12	6	20	9
NT20AJB	40	12	6	20	9
NT20AJH	40	12	6	20	9
NT20AJL	57	12	6	20	12