



### Blades for plastic, Z-shape



#### Product notes

- > Blades with offset cutting edge for overcoming obstacles or for narrow sprues
- > AH: standard blade
- > RAH: reverse cutting edge if cutting flush to workpiece with blade "AH" is not possible

#### Technical data

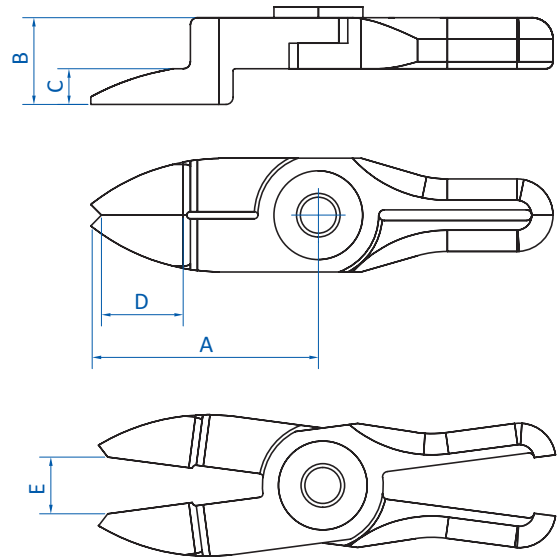
Item no.	Material	Max. cutting thickness [mm]		Weight [g]	Air nippers
		PP/PE	ABS		
<b>NY05RAH</b>	Ferrous alloy	3	2	31	GT-NF05 GT-NY05R-4 GT-NY05R



# Nipper technology | Air nippers – stationary

Blades for plastic, Z-shape

## Dimensions



Item no.	A [mm]	B [mm]	C [mm]	D [mm]	E [mm]
NY05RAH	30	7	5	12	5