



Blades for plastic, Z-shape



**Product notes**

- > Blades with offset cutting edge for overcoming obstacles or for narrow sprues
- > AH: standard blade
- > RAH: reverse cutting edge if cutting flush to workpiece with blade "AH" is not possible

**Technical data**

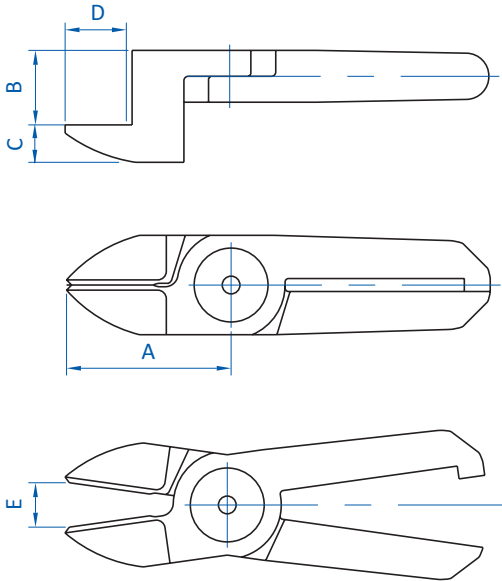
Item no.	Material	Max. cutting thickness [mm]		Weight [g]	Air nippers
		PP/PE	ABS		
NY10AH	Ferrous alloy	3.5	2.3	43	GT-NF10 GT-NY10-4 GT-NY10



# Nipper technology | Air nippers – stationary

Blades for plastic, Z-shape

## Dimensions



Item no.	A [mm]	B [mm]	C [mm]	D [mm]	E [mm]
NY10AH	33	15	5	15	8