



Blades for plastic, Z-shape



### Product notes

- > Blades with offset cutting edge for overcoming obstacles or for narrow sprues
- > AH: standard blade
- > RAH: reverse cutting edge if cutting flush to workpiece with blade "AH" is not possible

### Technical data

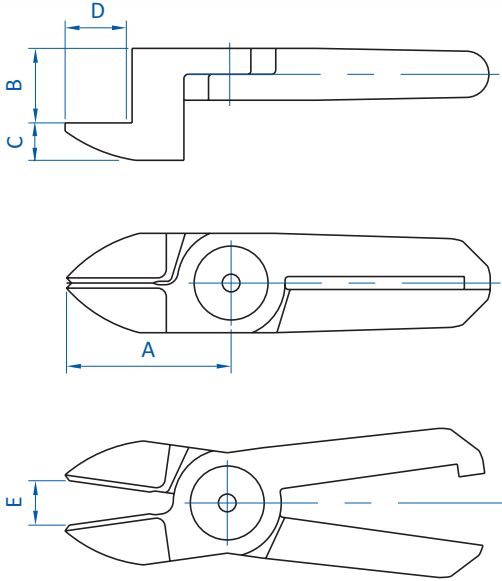
Item no.	Material	Max. cutting thickness [mm]		Weight [g]	Air nippers
		PP/PE	ABS		
NY25AH	Ferrous alloy	5	3.4	110	GT-NY25 GT-NY25-6



# Nipper technology | Air nippers – stationary

Blades for plastic, Z-shape

## Dimensions



Item no.	A [mm]	B [mm]	C [mm]	D [mm]	E [mm]
----------	--------	--------	--------	--------	--------

NY25AH	46	18	6	19	13
--------	----	----	---	----	----