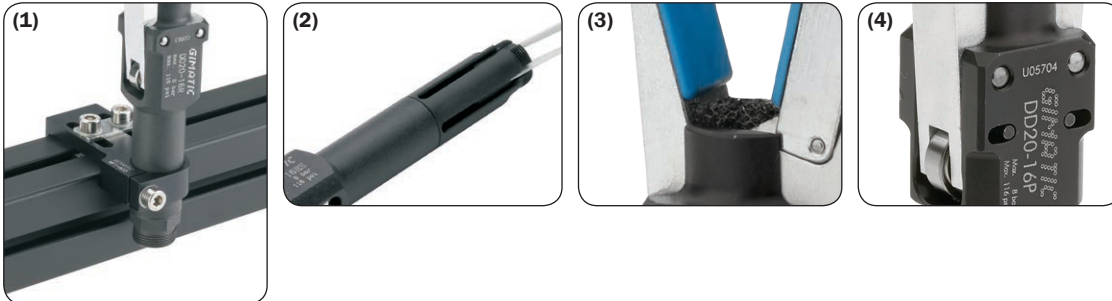


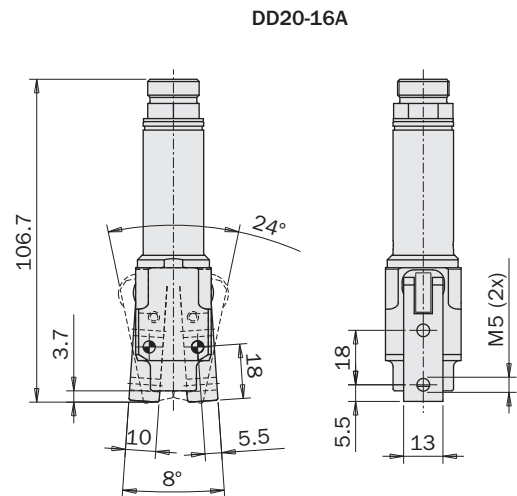
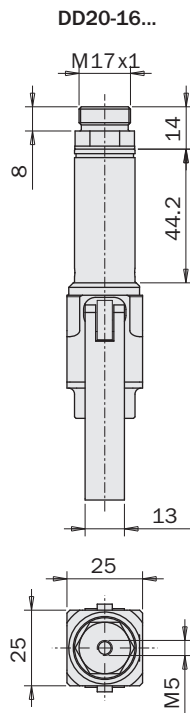
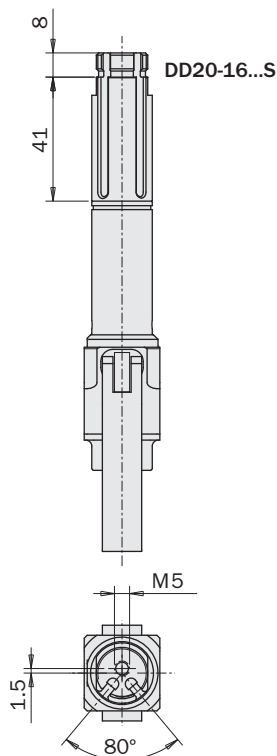
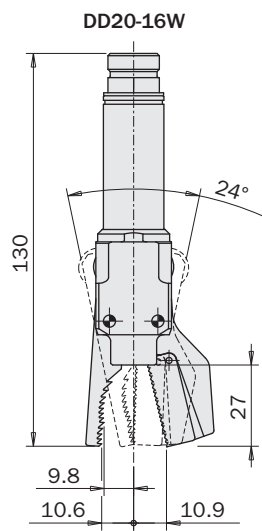
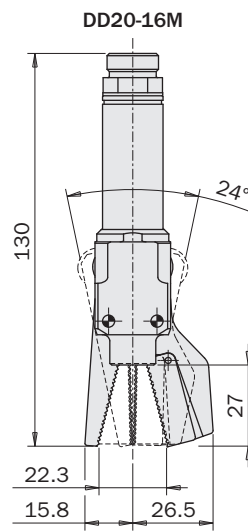
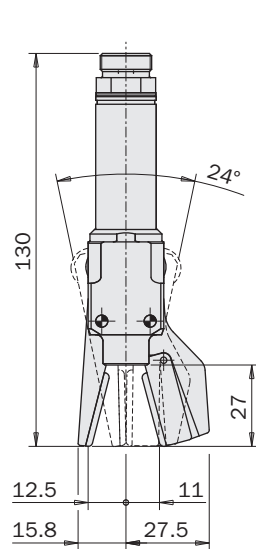
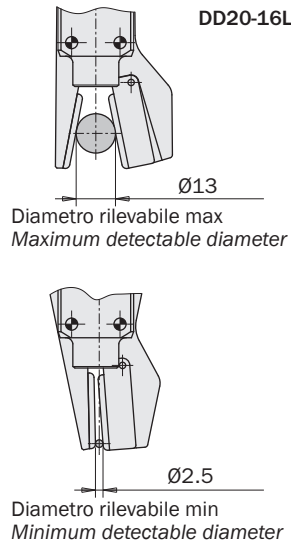
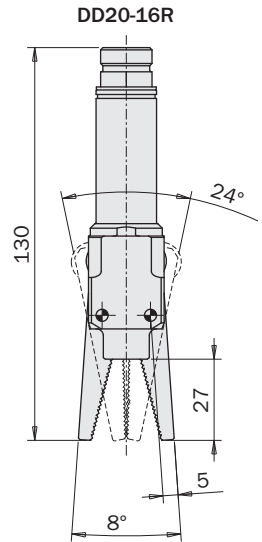
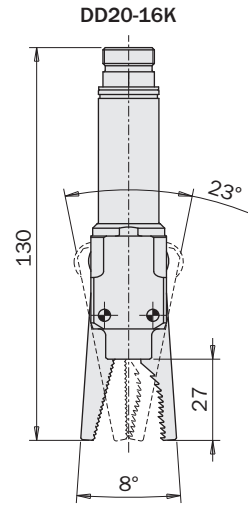
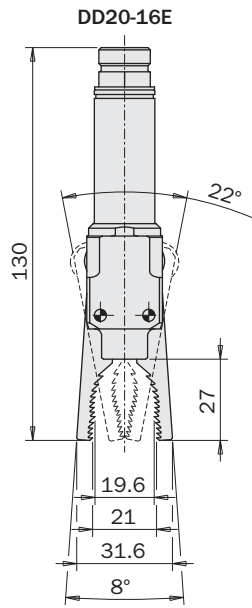
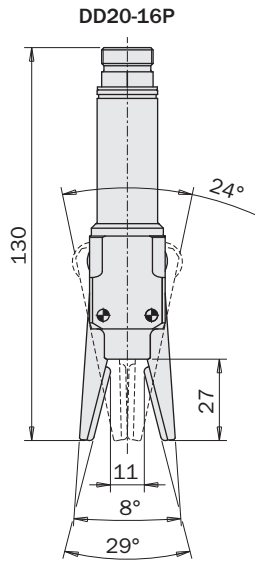
## 2-jaw self-centering angular pneumatic sprue gripper, series DD

- Single acting with spring opening.
- Very high closing force.
- Several mounting accessories (1).
- Optional magnetic sensors (2).
- Steel jaws.
- FDA-H1 food-grade grease.
- Protection against the entry of small foreign bodies (3).
- Heavy-duty end-strokes (4).



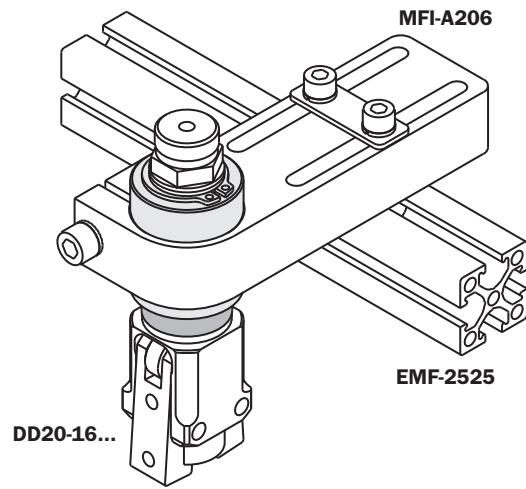
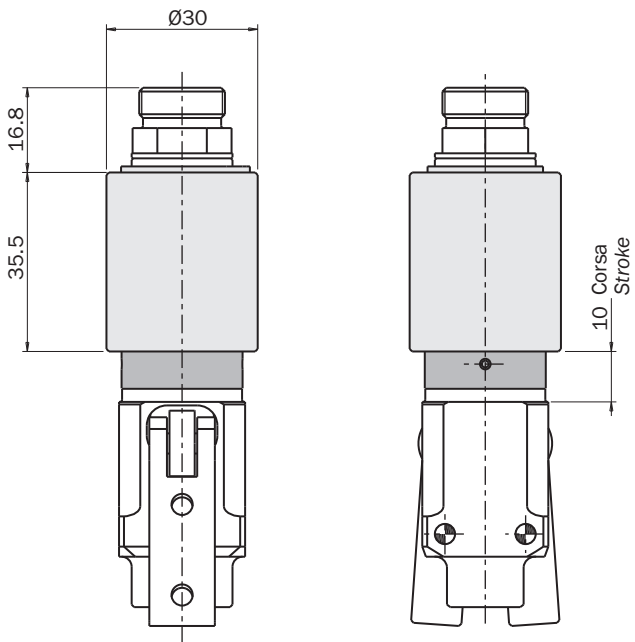
	DD20-16R DD20-16RS	DD20-16P DD20-16PS	DD20-16E DD20-16ES	DD20-16K DD20-16KS	DD20-16A DD20-16AS	DD20-16M	DD20-16W	DD20-16L
Fluido Medium	Aria compressa filtrata, lubrificata / non lubrificata Filtered, lubricated / non lubricated compressed air							
Pressione di esercizio Pressure range	2.5 ÷ 8 bar							
Temperatura di esercizio Temperature range	5 ÷ 60 °C.							
Corsa Stroke	2 x 15°							
Coppia di chiusura per griffa a 6 bar Closing torque at 6 bar each jaw	300 Ncm							
Coppia di chiusura totale a 6 bar Total closing torque at 6 bar	600 Ncm							
Coppia di apertura per griffa a 0 bar Opening torque at 0 bar each jaw	20 Ncm							
Coppia di apertura totale a 0 bar Total opening torque at 0 bar	40 Ncm							
Frequenza max funzionamento continuativo Maximum working frequency	2 Hz							
Consumo d'aria per ciclo Cycle air consumption	3.6 cm <sup>3</sup>							
Tempo di chiusura senza carico Closing time without load	0.02 s							
Peso Weight	165 g 190 g	160 g 195 g	165 g 200 g	170 g 200 g	135 g 175 g	165 g	170 g	160 g

**Dimensions (mm)**



## Suspension

By the accessories DD20-K1 and TFA20SP10, it is possible to mount the gripper on a 10mm stroke suspension.



	DD20-K1	TFA20SP10
Peso / Weight	5 g	85 g

