

ID expansion grippers series

MFU

- The elastic part can be in Silicone or EPDM.
- Grip diameters from 8 to 85 mm.
- Optional nose cones for centering.
- Optional proximity magnetic sensors.
- Several mounting accessories.



D 16 E 0 2 C L

Actuation direction

D - Verso il basso
D - Downward
U - Verso l'alto
U - Upward

Base diameter

08 - 10 - 12 - 14 - 16 - 18 - 22
27 - 33 - 41 - 47 - 51 - 63

Through hole

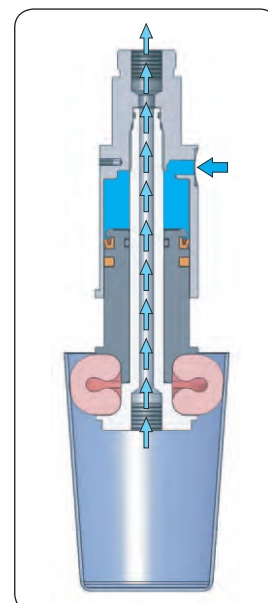
The ...HL models have a central through hole. It can be used to blow compressed air, or to provide vacuum, with the purpose to cool a part, or to check the sealing.

Air feeding

C - Con raccordo coassiale
C - With coaxial air fitting
H - Con raccordo laterale e foro passante
H - With side air fitting and through hole

Elastic part

S01 - in Silicone rosso
in red Silicone
E02 - in EPDM nero
in black EPDM



Silicone or EPDM?

The elastic part can be in red Silicone, or black EPDM. Silicone can be used over a wider temperature range and assures a longer life time, but it is not suitable in some industries, because it makes it difficult to paint or to coat the parts that are touched. EPDM is mark-free and provides a higher coefficient of friction. The elastic part in Silicone or EPDM is available as a spare part and can be replaced, when worn out. The expected medium life time of the elastic part in EPDM is about 0.5 million cycles. The expected medium life time of the elastic part in Silicone is about 1 million cycles.

Ricambio per la parte elastica
Spare elastic part



Silicone
Silicone



EPDM

T	MFD / MFU												
	Ø8	Ø10	Ø12	Ø14	Ø16	Ø18	Ø22	Ø27	Ø33	Ø41	Ø47	Ø51	Ø63
-70°C +200°C	IF08S01	IF10S01	IF12S01U	IF14S01U	IF16S01U	IF18S01	IF22S01	IF27S01	IF33S01	IF41S01	IF47S01	IF51S01	IF63S01
-50°C +140°C	IF08E02	IF10E02	IF12E02U	IF14E02U	IF16E02U	IF18E02	IF22E02	IF27E02	IF33E02	IF41E02	IF47E02	IF51E02	IF63E02

T - Temperatura d'esercizio della parte elastica (5+60°C per il corpo pinza)
T - Operating temperature of the elastic part (5+60°C for the gripper body)

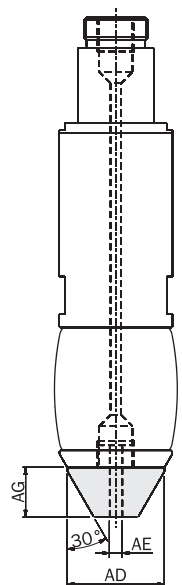
Centering cones

Centering cones in nylon with stainless screw are available as an option. For sizes larger than 33, they are also provided with a through hole.

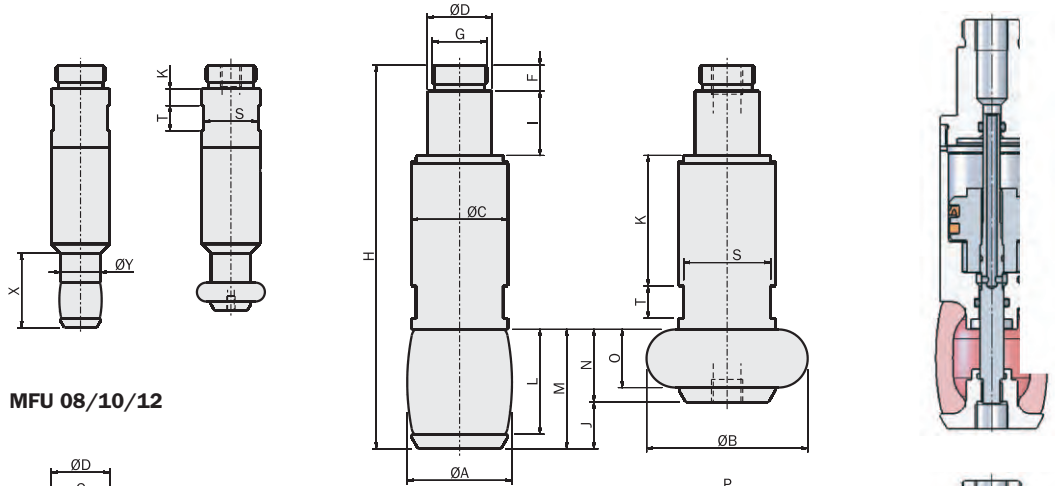


	MFC10	MFC12	MFC14	MFC18	MFC22	MFC27	MFC33	MFC41	MFC51	MFC63
Peso Weight	0.5 g	1 g	1 g	1.5 g	2 g	5 g	7 g	12 g	21 g	30 g
ØAD [mm]	7.8	10	11.8	15.5	18.8	21.3	28	37	47	56
ØAE [mm]	-	-	-	-	-	-	4	4	4	4
ØAG [mm]	2.9	3.5	4.5	6.5	8	9.5	12	19	26	30
MFD	Ø10	Ø12	Ø14	Ø18	Ø22	Ø27	Ø33	Ø41	Ø51	Ø63
MFU			Ø16					Ø47		

MFU

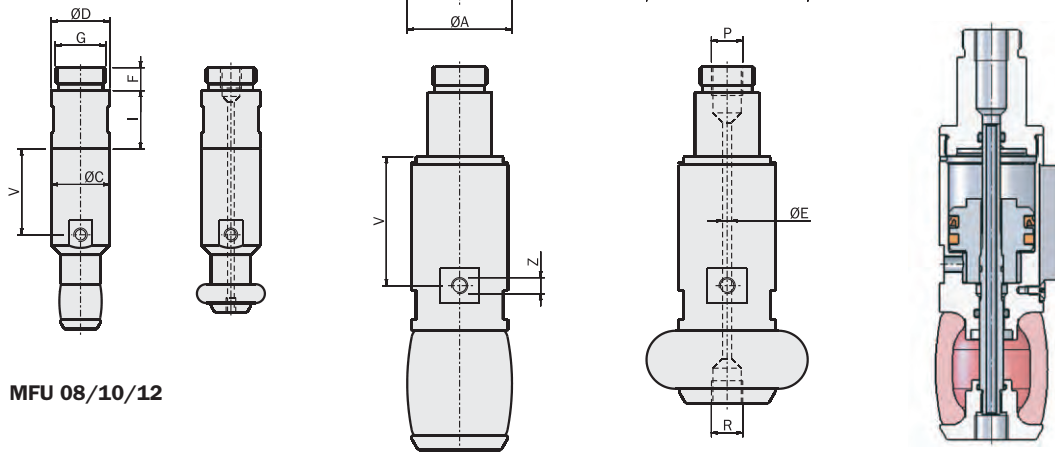


...CL



MFU 08/10/12

...HL

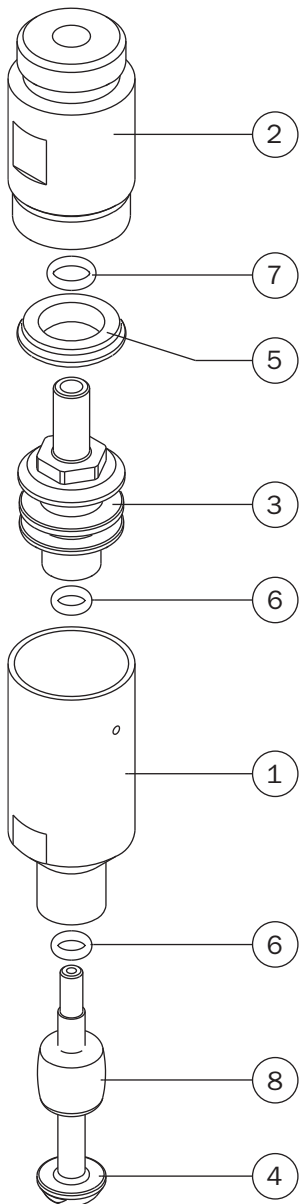


MFU 08/10/12

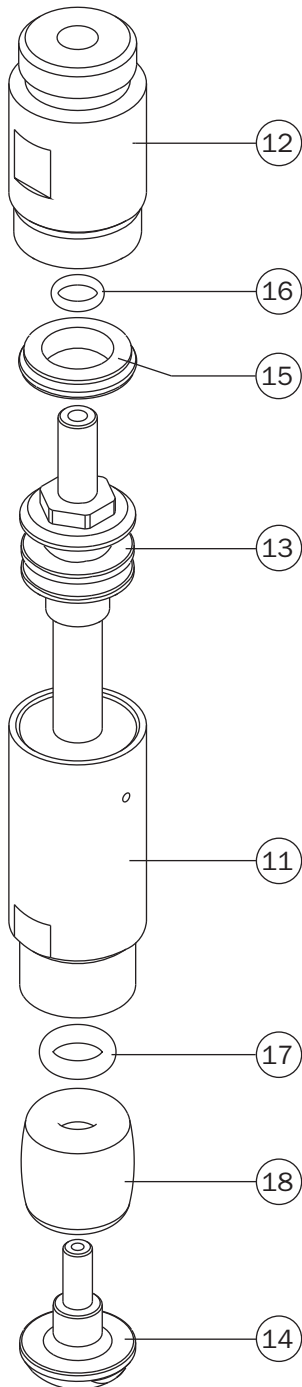
	m	ØA	ØB	ØC	ØD	ØE	F	G	H	I	J	K	L	M	N	O	P	R	S	T	V	Z	X	ØY
MFU08...CL MFU08...HL	16g	8	11	14	14	- 1.1	5.5	M12x1	61.5	14	3.5	4	7	9.2	5.7	3.5	M5	M2	13	6	- 20	- M3	16.3	7.6
MFU10...CL MFU10...HL	17g	10.5	13.5	14	14	- 1.1	5.5	M12x1	62.5	14	4	4	8.5	10.7	6.7	4.5	M5	M2	13	6	- 20.5	- M3	17.7	9.5
MFU12...CL MFU12...HL	18g	13	17	14	14	- 1.3	5.5	M12x1	65	14	5.5	4	10.5	13	7.5	5	M5	M3	13	6	- 21.5	- M3	20	11.8
MFU14...CL MFU14...HL	20g	15	19.5	14	14	- 1.3	5.5	M12x1	68.5	14	7	24.2	13	15.8	8.8	6	M5	M3	13	6	- 23.2	- M3	-	-
MFU16...CL MFU16...HL	20g	18	21.5	14	14	- 1.3	5.5	M12x1	68.5	14	7	24.2	13	15.8	8.8	6	M5	M3	13	6	- 23.2	- M3	-	-
MFU18...CL MFU18...HL	35g	19.5	24.5	18	14	- 1.3	5.5	M12x1	78	14	7.5	29	16.5	19.5	12	9	M5	M3	16	7	- 28	- M5	-	-
MFU22...CL MFU22...HL	50g	24	31.5	21.5	14	- 1.8	5.5	M12x1	86.5	14	10	31.8	21	24.2	14.2	11	M5	M3	20	8	- 31.5	- M5	-	-
MFU27...CL MFU27...HL	100g	28	37	25	20	- 2.5	8	M17x1	108	20	12	37.5	26	30	18	14	G1/8	M5	22	9	- 37	- M5	-	-
MFU33...CL MFU33...HL	130g	34	45	30	20	- 2.8	8	M17x1	119	20	14.5	40.5	32.5	37	22.5	18	G1/8	G1/8	28	10	- 40	- M5	-	-
MFU41...CL MFU41...HL	300g	42	54	40	30	- 4.5	11	M27x1	147	30	15.5	45	39.5	45	29.5	24	G1/8	G1/8	36	12	- 45	- M5	-	-
MFU47...CL MFU47...HL	300g	50	58	40	30	- 4.5	11	M27x1	147	30	15.5	45	39.5	45	29.5	24	G1/8	G1/8	36	12	- 45	- M5	-	-
MFU51...CL MFU51...HL	500g	54	68	50	30	- 5	11	M27x1	169	30	18	54	48	55	37	30	G1/8	G1/8	45	14	- 56.5	- G1/8	-	-
MFU63...CL MFU63...HL	785g	66	85	60	30	- 5	11	M27x1	194	30	25	62	61	70	45	36	G1/8	G1/8	54	16	- 64.5	- G1/8	-	-

m [Peso - Weight]

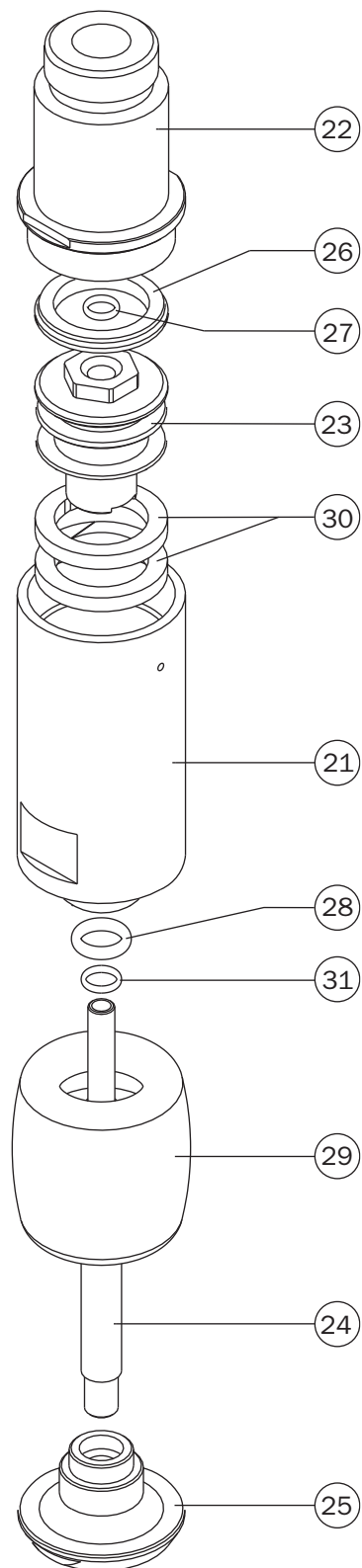
MFU08CL
MFU10CL



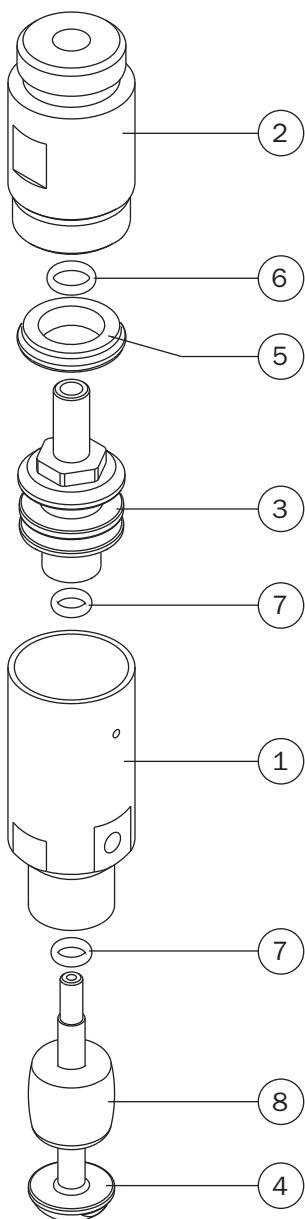
MFU12CL
MFU14CL
MFU16CL
MFU18CL



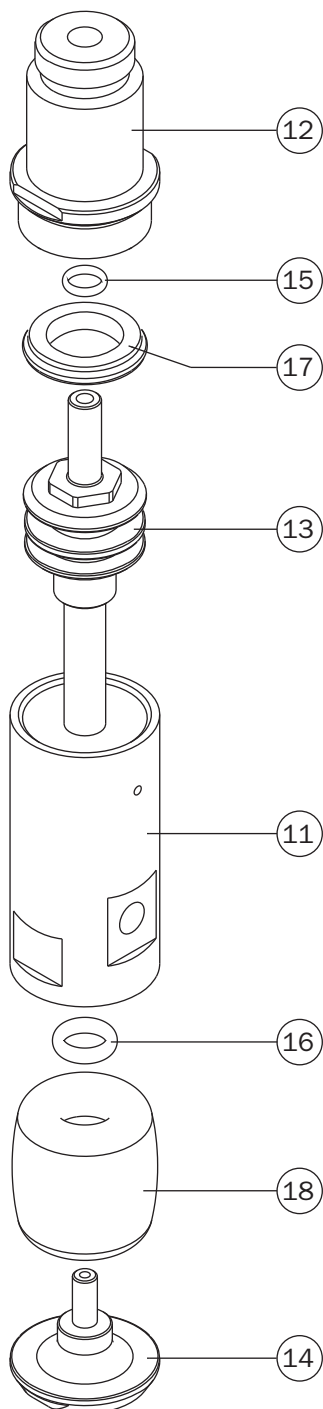
MFU22CL
MFU27CL
MFU33CL
MFU41CL
MFU47CL
MFU51CL
MFU63CL



MFU08HL
MFU10HL



MFU12HL
MFU14HL
MFU16HL
MFU18HL



MFU22HL
MFU27HL
MFU33HL
MFU41HL
MFU47HL
MFU51HL
MFU63HL

