

Self-centering pneumatic gripper (series X)

XT-...: 3 jaw parallel gripper.

- Double acting.
- Excellent cost/performance ratio.
- Light weight, due to its alloy and plastic resin construction.
- Gripper mounting possible on two sides.
- Optional magnetic sensors.



XT-26

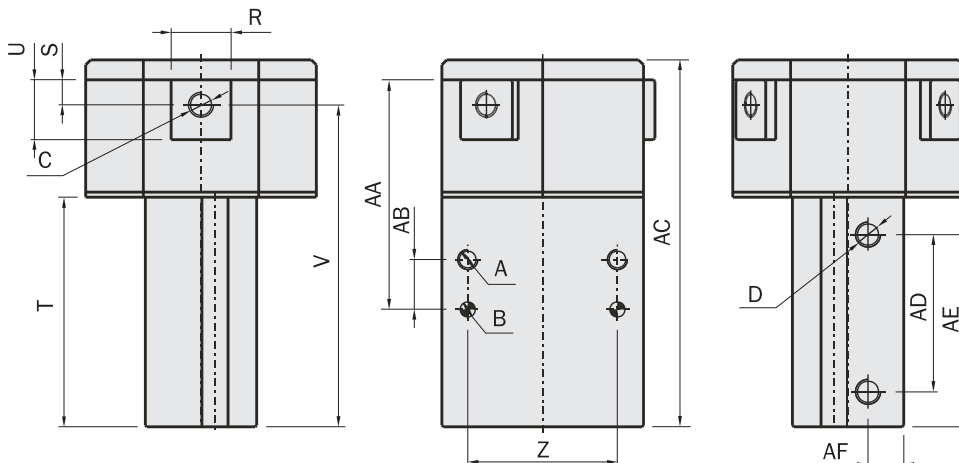
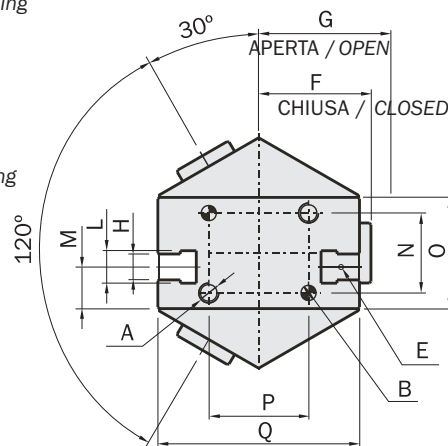


XT-20

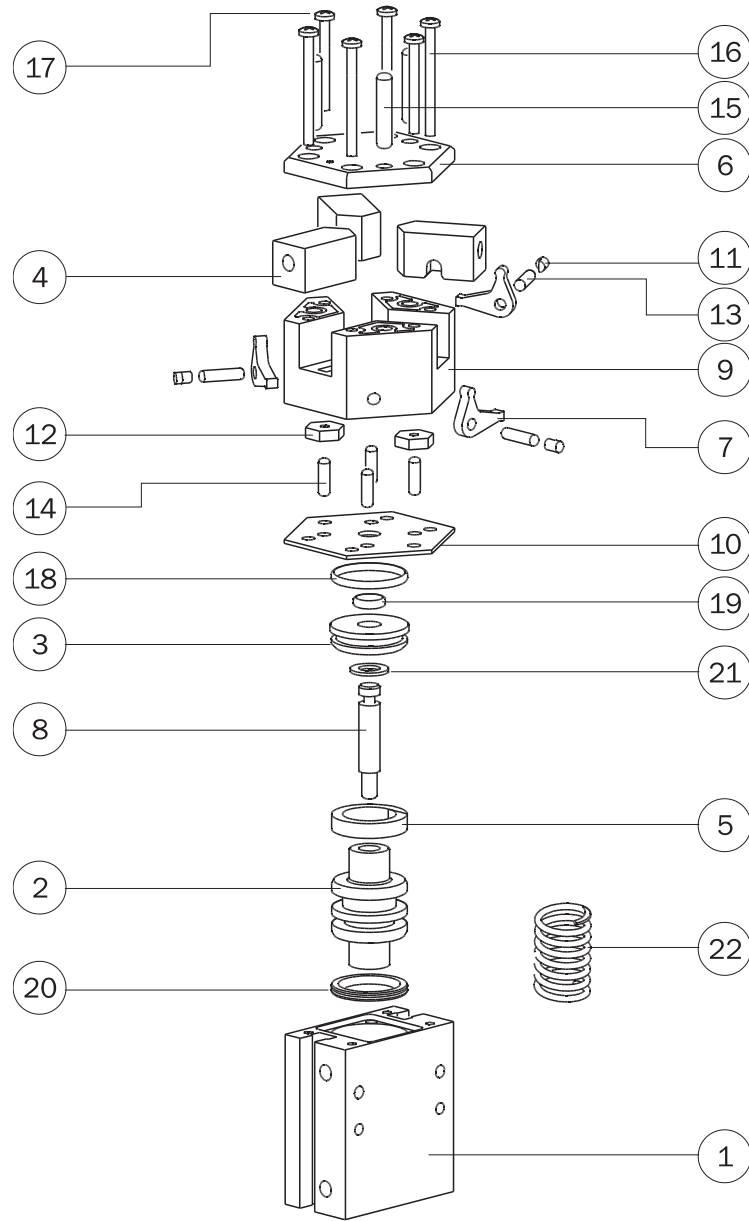
| | XT-20 | XT-26 |
|--|--|--------------------|
| Fluido Medium | Aria compressa filtrata, lubrificata / non lubrificata Filtered, lubricated / non lubricated compressed air | |
| Pressione di esercizio Operating pressure range | 2.5 ÷ 8 bar | |
| Temperatura di esercizio Operating temperature range | 5 ÷ 60 °C. | |
| Forza di serraggio per griffa in chiusura a 6 bar Closing gripping force at 6 bar on each jaw | 57 N | 73 N |
| Forza di serraggio totale in chiusura a 6 bar Closing total gripping force at 6 bar | 171 N | 219 N |
| Forza di serraggio per griffa in apertura a 6 bar Opening gripping force at 6 bar on each jaw | 67 N | 80 N |
| Forza di serraggio totale in apertura a 6 bar Opening total gripping force at 6 bar | 201 N | 240 N |
| Corsa (±0.2 mm) Stroke | 3 x 3.6 mm | 3 x 6.6 mm |
| Frequenza max funzionamento continuativo Maximum working frequency | 3 Hz | 2 Hz |
| Consumo d'aria per ciclo Cycle air consumption | 7 cm ³ | 12 cm ³ |
| Tempo di chiusura senza carico Closing time without load | 0.02 s | 0.05 s |
| Ripetibilità Repetition accuracy | 0.02 mm | 0.02 mm |
| Peso Weight | 210 g | 350 g |



- A** Threaded hole for fastening
- B** Dowel pin hole
- C** Threaded hole for gripping tool fastening
- D** Air connection
- E** Gimatic sensor slot



| | XT-20 | XT-26 |
|----|-------------------|-------|
| A | M4x6 | M5x10 |
| B | Ø3x6 | Ø4x6 |
| C | M5x8 | M6x9 |
| D | M5 | |
| E | SC - SL - SS - SN | |
| F | 22.4 | 27.1 |
| G | 26 | 33.7 |
| H | 5.2 | |
| L | 6.5 | |
| M | 8.35 | 11.15 |
| N | 16 | 21 |
| O | 22.3 | 30.3 |
| P | 20 | 25 |
| Q | 40.4 | 50.4 |
| R | 12 | 15 |
| S | 5 | 6.5 |
| T | 46 | 42.8 |
| U | 12 | 15 |
| V | 64.5 | 65.5 |
| Z | 30 | 36 |
| AA | 46 | 56 |
| AB | 10 | 12 |
| AC | 73.5 | 77 |
| AD | 31.5 | 30 |
| AE | 38.5 | 36.5 |
| AF | 7.15 | 10.15 |



| | | XT-20 | XT-26 | | |
|----|----------------------|------------------------------|----------------------------|---------------------|----|
| 1 | Corpo pinza | XP-20-1 | XP-26-1 | Gripper housing | 1 |
| 2 | Pistone | XP-20-2 | XP-26-2 | Piston | 2 |
| 3 | Flangia | XP-20-3 | XP-25-12 | Flange | 3 |
| 4 | Griffa | XT-20-1 | XP-26-3 | Jaw | 4 |
| 5 | Magnete | XP-20-5 | PS-0025-P07 | Magnet | 5 |
| 6 | Copertura | XT-16-1 | XP-25-5 | Cover plate | 6 |
| 7 | Leva | XP-16-6 | XP-25-6 | Lever | 7 |
| 8 | Stelo | XP-16-7 | XP-25-7 | Piston rod | 8 |
| 9 | Porta griffe | XT-16-2 | XP-25-8 | Jaw holder | 9 |
| 10 | Separatore | XT-16-4 | XP-25-10 | Separator | 10 |
| 11 | Tappo | XP-16-11 | XP-25-11 | Plug | 11 |
| 12 | Dado | XT-16-3 | M4 DIN 934 INOX A2 | Nut | 12 |
| 13 | Spina di riferimento | Ø3x12 mm DIN 6325 | Ø4x16 mm DIN 6325 | Dowel pin | 13 |
| 14 | Spina di riferimento | Ø3x10 mm DIN 6325 | Ø4x12 mm DIN 6325 | Dowel pin | 14 |
| 15 | Spina di riferimento | Ø4x20 mm DIN 6325 | Ø4x16 mm DIN 6325 | Dowel pin | 15 |
| 16 | Vite | M2.5x30 mm DIN 7985A INOX A2 | M4x40 mm DIN 7985A INOX A2 | Screw | 16 |
| 17 | Vite | M2.5x25 mm DIN 7985A INOX A2 | M4x30 mm DIN 7985A INOX A2 | Screw | 17 |
| 18 | O-Ring | Ø1.78x17.17 (GUAR-076) | Ø1.78x23.52 (GUAR-008) | O-Ring | 18 |
| 19 | O-Ring | Ø1.78x5.28 (GUAR-011) | Ø1.78x6.75 (GUAR-012) | O-Ring | 19 |
| 20 | Guarnizione dinamica | 20x13x2.5 (GUAR-040P) | 25x18x2.4 (GUAR-003M) | Dynamic gasket | 20 |
| 21 | Distanziale | XT-20-2 | - | Spacer | 21 |
| 22 | Molla (solo NO/NC) | PAR-20-11B | PAR-25-11B | Spring (only NO/NC) | 22 |