

# Spring levelers

Non-rotating internal spring levelers - smooth body

Non-rotating internal spring levelers - smooth body



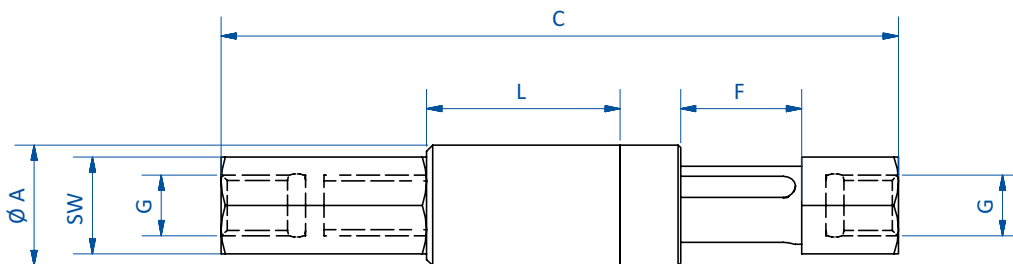
## Product notes

- > Free moving and high-load capability with ball guide technology
- > Clampable smooth body
- > Body and rod made of anodised aluminium

## Technical data

Item no.	Lift [mm]	Weight [g]
GR03.1010	10	7
GR03.1025	25	11
GR03.1420	20	23
GR03.1435	35	35
GR03.2025	25	54
GR03.2050	50	80

## Dimensions



Item no.	Ø A [mm]	C [mm]	L [mm]	G	F [mm]	SW
GR03.1010	10	56	16	M5	10	8
GR03.1025	10	90.5	35.5	M5	25	8
GR03.1420	14	98.5	31.5	G1/8	20	12
GR03.1435	14	133.5	51.5	G1/8	35	12
GR03.2025	20	110	41	G1/8	25	16
GR03.2050	20	167.5	73.5	G1/8	50	16

# Spring levelers

Non-rotating spring levelers - threaded body

## Non-rotating spring levelers - threaded body



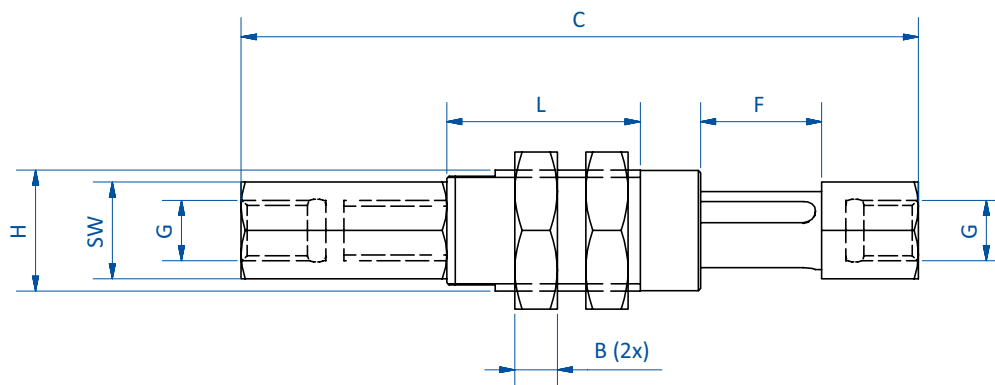
### Product notes

- > Free moving and high-load capability with ball guide technology
- > Flexible mounting via threaded body
- > Body and rod made of anodised aluminium

### Technical data

Item no.	Lift [mm]	Weight [g]
GR03.1010T	10	11
GR03.1025T	25	13
GR03.1210T	10	15
GR03.1225T	25	20
GR03.1620T	20	35
GR03.1635T	35	45
GR03.2025T	25	63
GR03.2050T	50	90
GR03.2540T	40	170
GR03.2580T	80	235

### Dimensions



GR03.1010T | GR03.1025T