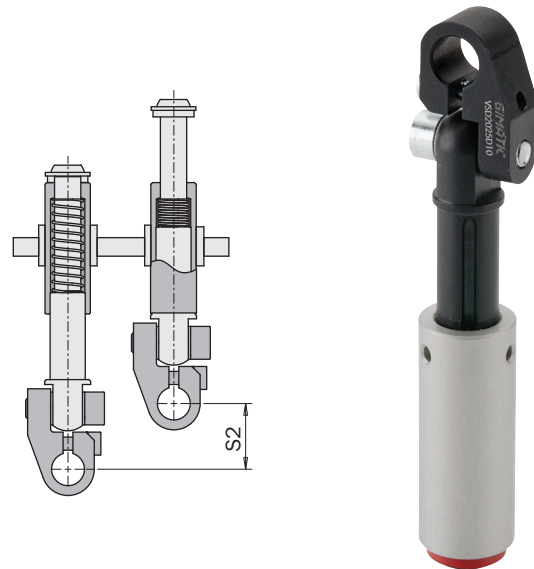
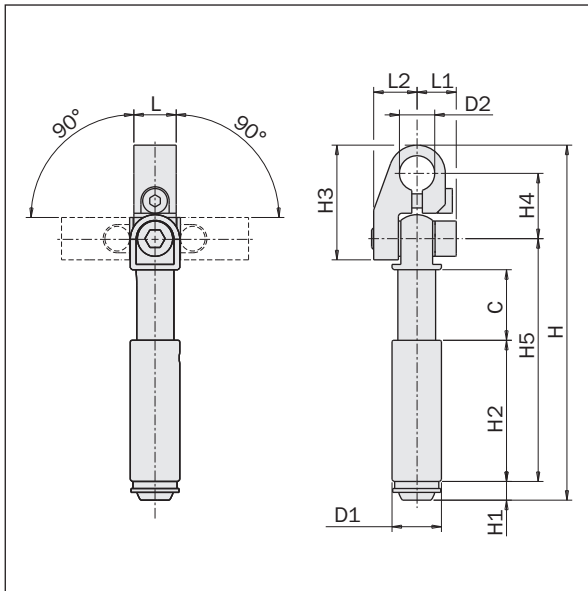


Non-rotative suspensions with smooth-body and adjustable clamp

- It is possible to set continuously the angle between 0° and +/-90°.
- External air feeding.
- Body and rod in anodized aluminum.
- Non-rotative rod.
- FDA-H1 food-grade grease.



	VSD1420D10	VSD2025D10	VSD2025D20
H [mm]	100.6	119.8	131.8
H1 [mm]	5.3	6.3	6.3
H2 [mm]	40	50	50
H3 [mm]	32.5	32.5	46.5
H4 [mm]	18.5	18.5	25
H5 [mm]	67.3	86	86
D1 [mm]	Ø14	Ø20	Ø20
D2 [mm]	Ø10	Ø10	Ø20
L [mm]	12	12	16
L1 [mm]	11.3	11.3	13.5
L2 [mm]	12.3	12.3	13.5
C [mm]	20	25	25
S2 [mm]	20	25	25
d [mm]	0	0	0
K [N/mm]	0.268	0.275	0.275
R1 [N]	3.617	4.131	4.131
R2 [N]	8.975	11.02	11.02
m [g]	43	69	85

