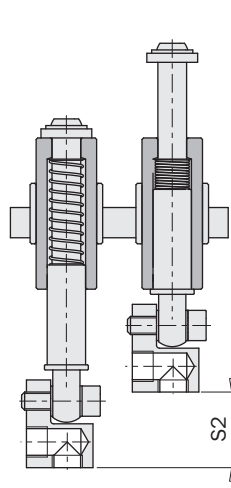
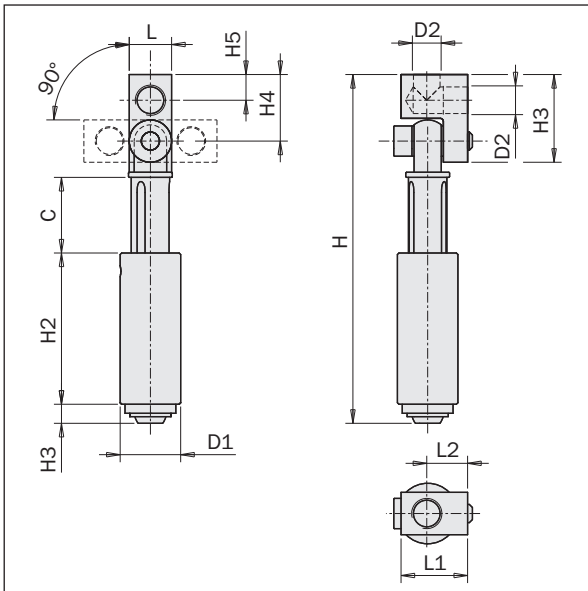


### Smooth-body non-rotative suspensions with integral elbow arms

- It is possible to set continuously the angle between 0° and +/-90°.
- External air feeding.
- Body and rod in anodized aluminum.
- Non-rotative rod with high load capability.
- Pressure range: -1 ÷ 8 bar.



	VSE1010F05	VSE1025F05	VSE1420F18	VSE1435F18	VSE2025F18	VSE2025F14	VSE2050F18	VSE2050F14
H [mm]	56.3	90.8	96.1	131.1	115.3	121.3	172.8	178.8
H1 [mm]	3.3	3.3	5.3	5.3	6.3	6.3	6.3	6.3
H2 [mm]	22.5	42	40	60	50	50	82.5	82.5
H3 [mm]	19	19	29	29	29	38	29	38
H4 [mm]	14	14	22	22	22	28	22	28
H5 [mm]	5.5	5.5	8.5	8.5	8.5	12	8.5	12
D1 [mm]	Ø10	Ø10	Ø14	Ø14	Ø20	Ø20	Ø20	Ø20
D2	M5	M5	G1/8"	G1/8"	G1/8"	G1/4"	G1/8"	G1/4"
L [mm]	10	10	14	14	14	20	14	20
L1 [mm]	16.5	16.5	22	22	22	27	22	27
L2 [mm]	11	11	13.5	13.5	13.5	15	13.5	15
C [mm]	10	25	20	35	25	25	50	50
S2 [mm]	10	25	20	35	25	25	50	50
d [mm]	0	0	0	0	0	0	0	0
K [N/mm]	0.106	0.138	0.268	0.150	0.275	0.275	0.141	0.141
R1 [N]	0.957	3.100	3.617	4.267	4.131	4.131	4.308	4.308
R2 [N]	2.020	6.545	8.975	9.507	11.02	11.02	11.37	11.37
m [g]	15	20	45	55	70	90	105	120