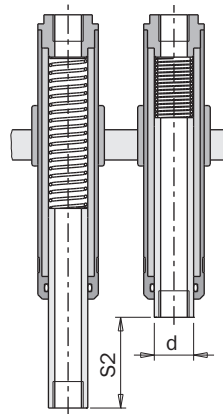
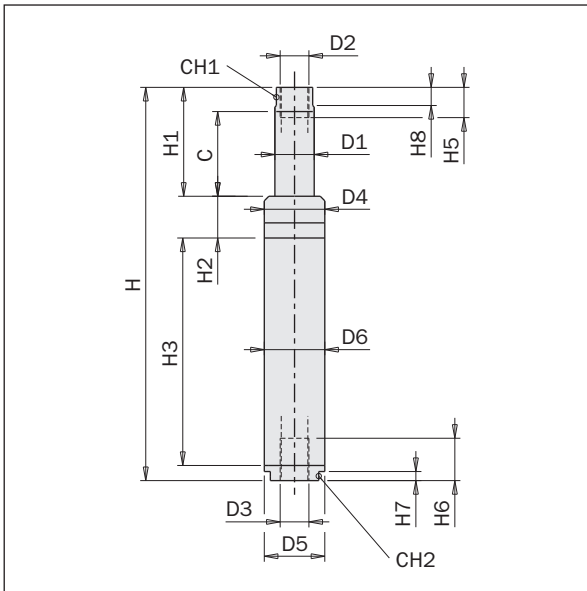


Smooth-body non-rotative telescopic suspensions

- Body and rod in anodized aluminum.
- Anti-friction treatment on the rod.
- Smooth movement thanks to the plastic bearing.
- Non-rotative rod with reduced tolerance.
- Telescopic lay-out: fittings and hoses don't move.
- Unidirectional sealing: only for vacuum applications.
- Pressure range: $-1 \div 0$ bar.



VSL



	VSL1620	VSL2030	VSL2430
H [mm]	100	130	130
H1 [mm]	26	36	36
H2 [mm]	12	14	14
H3 [mm]	57	75	75
H4 [mm]	5	5	5
H5 [mm]	10	10	10
H6 [mm]	14	14	14
H7 [mm]	3	3	3
H8 [mm]	5	6	6
D1 [mm]	Ø8	Ø13	Ø16
D2	M5	G1/8"	G1/4"
D3	M5	G1/8"	G1/4"
D4 [mm]	Ø14.5	Ø20	Ø23
D5 [mm]	Ø14.5	Ø20	Ø23
D6 [mm]	Ø16	Ø20	Ø24
CH1 [mm]	7	12	14
CH2 [mm]	13	16	20
C [mm]	20	30	30
S2 [mm]	20	30	30
d [mm]	8	13	16
K [N/mm]	0.311	0.239	0.334
R1 [N]	9.338	14.80	20.05
R2 [N]	16.04	22.37	30.42
m [g]	30	55	70