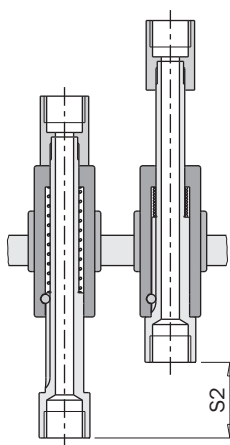
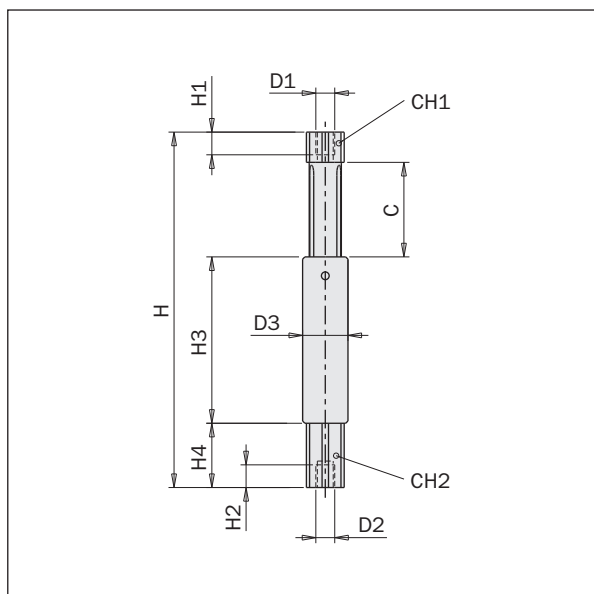


Smooth-body non-rotative telescopic suspensions

- Body and rod in anodized aluminum.
- Spring and balls in stainless steel.
- Non-rotative rod with high load capability.
- Pressure range: -1 ÷ 8 bar.
- FDA-H1 food-grade grease.



	VSNG1010	VSNG1025	VSNG1210	VSNG1225	VSNG1420	VSNG1435	VSNG1620	VSNG1635	VSNG2025F18	VSNG2025	VSNG2050F18	VSNG2050	VSNG2540	VSNG2580
H [mm]	56	90.5	60	94	100	135	100	135	111	113	168.5	170.5	159	249
H1 [mm]	5	5	5.5	5.5	7	7	9	9	10	10	10	10	11	11
H2 [mm]	5	5	5.5	5.5	7	7	7	7	10	10	10	10	11	11
H3 [mm]	21	40.5	25	44	38.5	58.5	38.5	58.5	50	50	82.5	82.5	71	121
H4 [mm]	17	17	17	17	20	20	20	20	21	23	21	23	33	33
D1	M5	M5	M5	M5	G1/8"	G1/8"	G1/8"	G1/8"	G1/8"	G1/4"	G1/8"	G1/4"	G3/8"	G3/8"
D2	M5	M5	M5	M5	G1/8"	G1/8"	G1/8"	G1/8"	G1/8"	G1/4"	G1/8"	G1/4"	G3/8"	G3/8"
D3 [mm]	Ø10	Ø10	Ø12	Ø12	Ø14	Ø14	Ø16	Ø16	Ø20	Ø20	Ø20	Ø20	Ø25	Ø25
CH1 [mm]	8	8	10	10	12	12	12	12	16	16	16	16	22	22
CH2 [mm]	8	8	10	10	12	12	12	12	16	16	16	16	22	22
C [mm]	10	25	10	25	20	35	20	35	25	25	50	50	40	80
S2 [mm]	10	25	10	25	20	35	20	35	25	25	50	50	40	80
d [mm]	0	0	0	0	0	0	0	0	0	0	0	0	0	0
K [N/mm]	0.213	0.085	0.277	0.108	0.268	0.15	0.252	0.137	0.275	0.258	0.141	0.129	0.230	0.119
R1 [N]	1.49	1.575	1.938	2.112	3.617	4.267	3.650	4.325	4.131	4.388	4.308	4.452	6.082	6.005
R2 [N]	3.619	3.704	4.706	4.820	8.975	9.507	8.685	9.132	11.02	10.84	11.37	10.90	15.26	15.52
m [g]	7	11	15	20	22	33	40	50	54	55	80	85	135	205