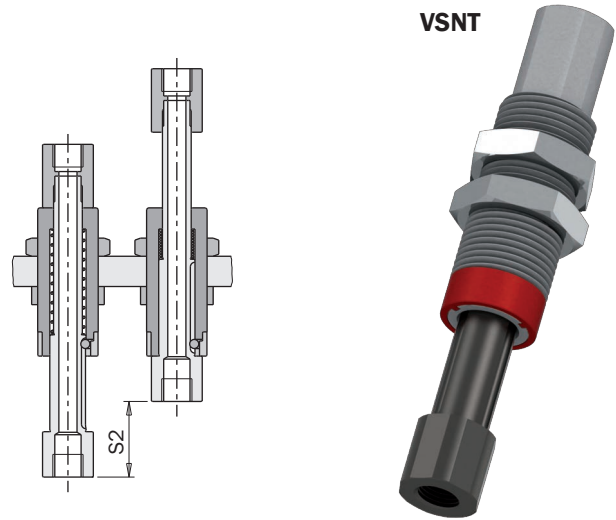
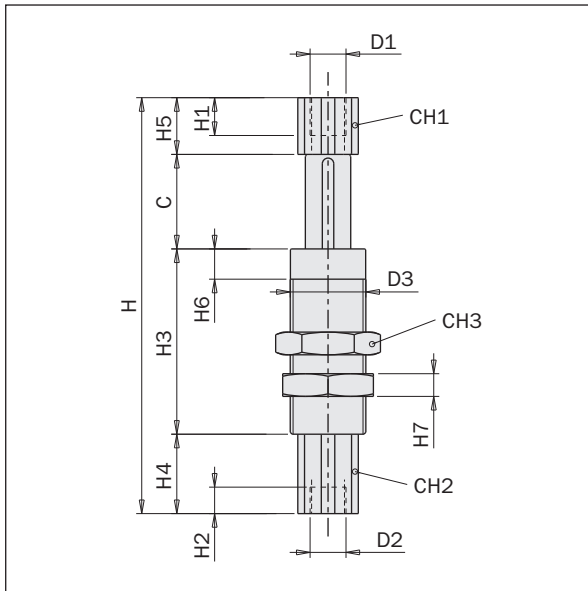


Threaded-body non-rotative suspensions

- Body and rod in anodized aluminum.
- Non-rotative rod with high load capability.
- Pressure range: $-1 \div 8$ bar.



	VSNT1010	VSNT1025
H [mm]	56	90.5
H1 [mm]	6	6
H2 [mm]	5	5
H3 [mm]	21	40.5
H4 [mm]	17	17
H5 [mm]	8	8
H6 [mm]	5	5
H7 [mm]	3.5	3.5
D1	M5	M5
D2	M5	M5
D3	M10x1	M10x1
CH1 [mm]	8	8
CH2 [mm]	8	8
CH3 [mm]	13	13
C [mm]	10	25
S2 [mm]	10	25
d [mm]	0	0
K [N/mm]	0.213	0.085
R1 [N]	1.490	1.575
R2 [N]	3.619	3.704
m [g]	12	16