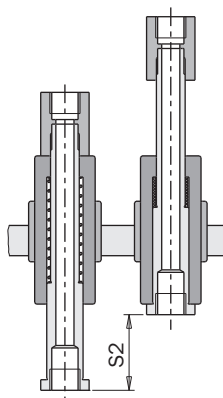
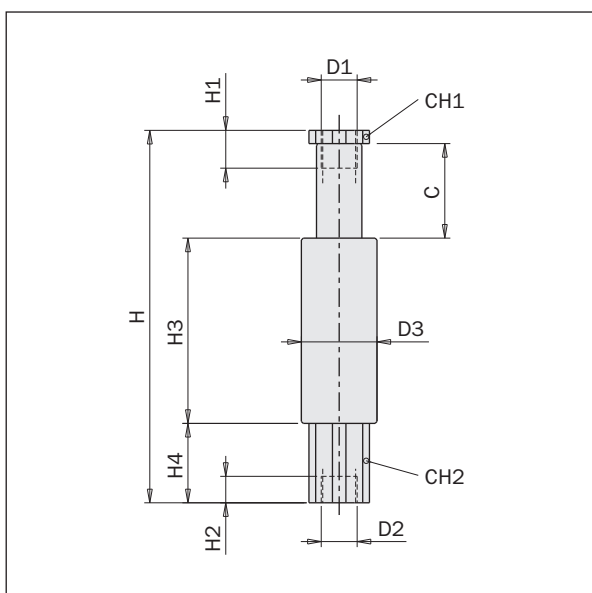


### Smooth-body rotative suspensions

- Body and rod in anodized aluminum.
- Rotative rod.
- Pressure range:  $-1 \div 8$  bar.



VSR



	VSR1010	VSR1025	VSR1420	VSR1435	VSR2025	VSR2050
H [mm]	51	85.5	92.5	127.5	98.5	156
H1 [mm]	6	6	10	10	10	10
H2 [mm]	5	5	7	7	7	7
H3 [mm]	21	40.5	38.5	58.5	49	81.5
H4 [mm]	17	17	20	20	21	21
D1	M5	M5	G1/8"	G1/8"	G1/8"	G1/8"
D2	M5	M5	G1/8"	G1/8"	G1/8"	G1/8"
D3 [mm]	Ø10	Ø10	Ø14	Ø14	Ø20	Ø20
CH1 [mm]	8	8	12	12	16	16
CH2 [mm]	8	8	12	12	16	16
C [mm]	10	25	20	35	25	50
S2 [mm]	10	25	20	35	25	50
d [mm]	0	0	0	0	0	0
K [N/mm]	0.213	0.085	0.268	0.150	0.275	0.141
R1 [N]	1.490	1.575	3.617	4.267	4.131	4.308
R2 [N]	3.619	3.704	8.975	9.507	11.02	11.37
m [g]	7	11	23	32	50	77