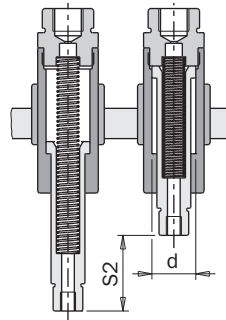
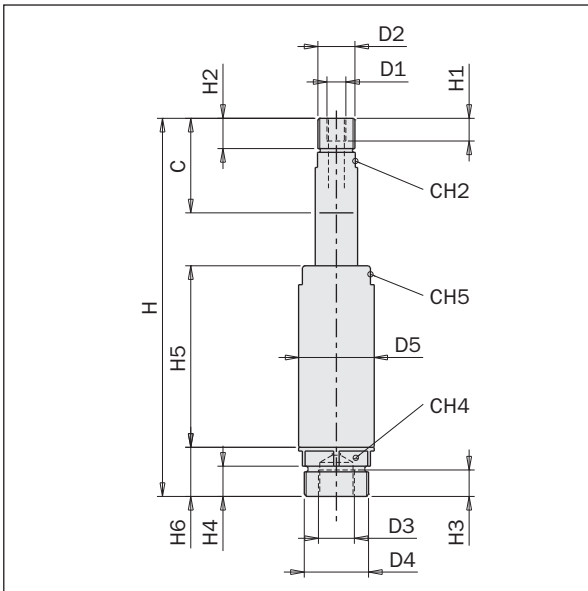


Telescopic self-retracting suspensions

- Body and rod in anodized aluminum.
- Sealing with no seals.
- Only for vacuum applications.
- When the cup takes a part, the vacuum on the internal piston overtakes the spring force and moves the rod up.
- The speed of the retraction movement can be adjusted by a standard throttle valve.
- When the vacuum is removed the part is released and the internal spring resets the rod.
- Pressure range: $-1 \div 0$ bar.
- FDA-H1 food-grade grease.



	VSS2025	VSS2050
H [mm]	100	150
H1 [mm]	6	6
H2 [mm]	8	8
H3 [mm]	8	8
H4 [mm]	8	8
H5 [mm]	48	73
H6 [mm]	13	13
D1	M5	M5
D2	G1/8"	G1/8"
D3	G1/8"	G1/8"
D4	M17x1	M17x1
D5 [mm]	Ø20	Ø20
CH2 [mm]	10	10
CH4 [mm]	18	18
CH5 [mm]	18	18
C [mm]	25	50
S2 [mm]	25	50
d [mm]	14.5	14.5
K [N/mm]	0.085	0.052
R1 [N]	1.525	1.606
R2 [N]	3.642	4.197
m [g]	40	55