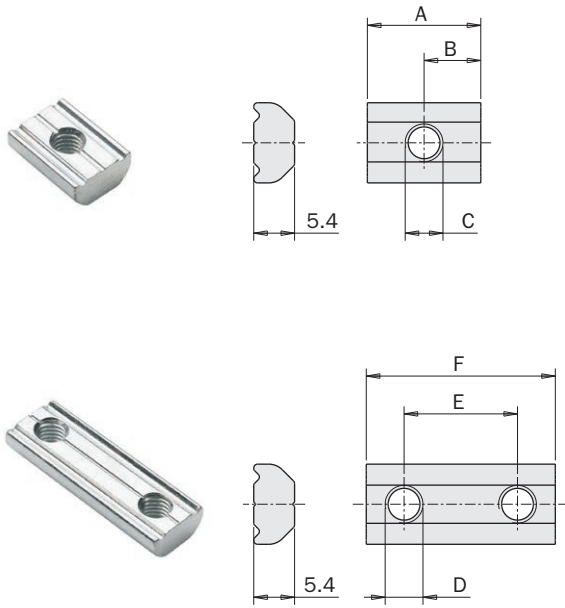


T-Nuts



	A [mm]	B [mm]	C [mm]	Peso Weight
MFI-177	15	7.5	M4	5 g
MFI-025	15	7.5	M5	5 g
MFI-178	15	7.5	M6	5 g

	D [mm]	E [mm]	F [mm]	Peso Weight
MFI-003	M4	8	16	5 g
MFI-006	M5	10	20	7 g
MFI-009	M5	15	25	9 g
MFI-148	M5	17	25	9 g
MFI-016	M5	22	32	11 g
MFI-027	M5	25	35	13 g
MFI-055	M5	28	38	14 g
MFI-050	M5	30	40	15 g
MFI-029	M5	35	45	16 g
MFI-020	M5	40	50	18 g
MFI-043	M5	50	60	22 g
MFI-022	M5	60	70	26 g
MFI-045	M5	90	100	38 g

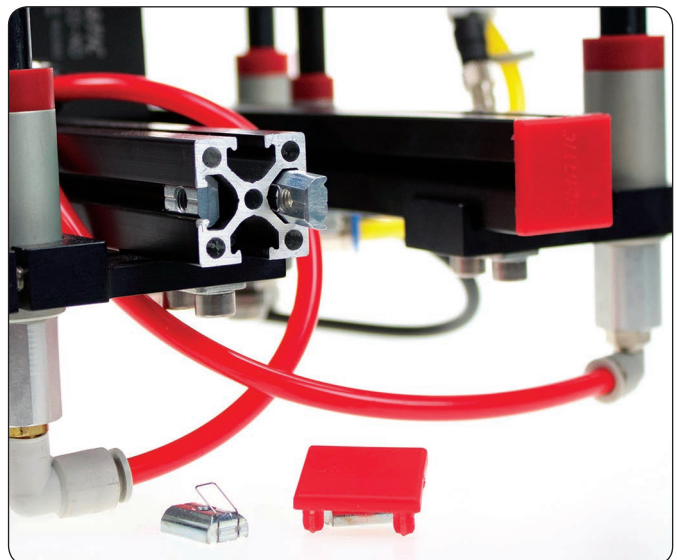
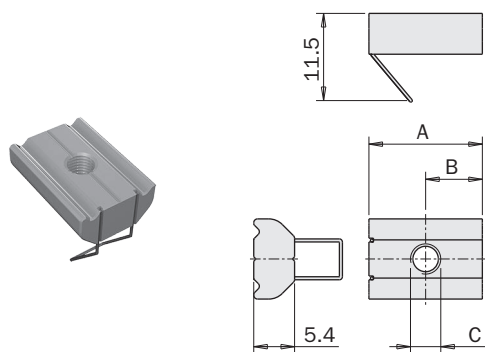
Spring nuts

They hold the position in the slot without slipping during assembly.

Suitable for the beams:

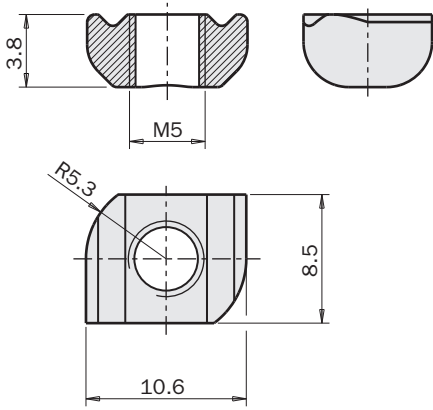
- EMB-5045
- EMB-3026
- EMB/EMF-8040
- EMB/EMF-4040
- EMB/EMF-5025
- EMB/EMF-2525
- EMB/EMF-2518
- EMB/EMF-2510

	A [mm]	B [mm]	C [mm]	Peso Weight
MFI-A329	15	7.5	M4	5 g
MFI-A331	15	7.5	M5	5 g



Last-minute nut

To be used when you need to add something to an already assembled EOAT.



MFI-243

Peso / Weight 2 g

