

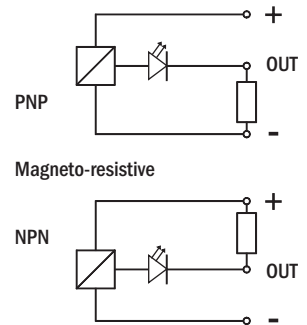
### Optional magnetic sensors

The operating position is detected by magnetic proximity sensors (optional) through a magnet placed on the piston.

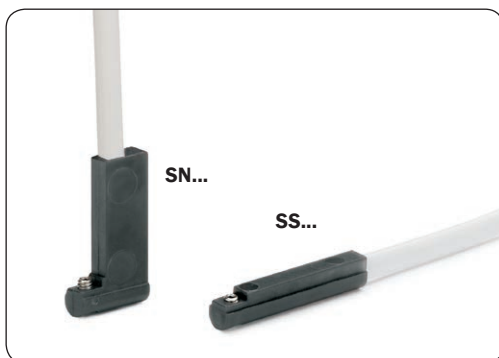
The use of magnetic proximity sensors is to be avoided in the vicinity of large masses of ferromagnetic material or intense magnetic fields as this may cause detection problems.

The sensors that can be used are:

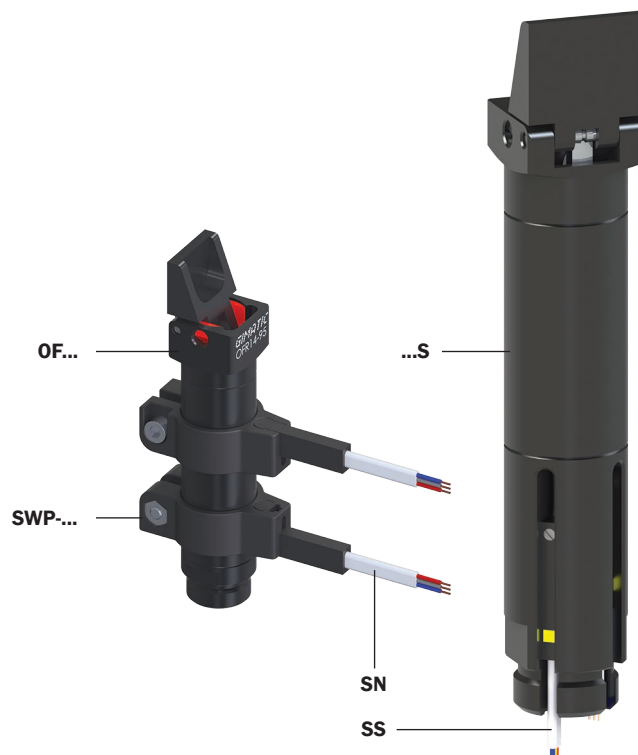
SN4N225-G	PNP	cavo 2.5m / 2.5m cable
SN4M225-G	NPN	cavo 2.5m / 2.5m cable
SN3N203-G	PNP	Connettore M8 / Snap M8 plug connector
SN3M203-G	NPN	Connettore M8 / Snap M8 plug connector
SS4N225-G	PNP	cavo 2.5m / 2.5m cable
SS4M225-G	NPN	cavo 2.5m / 2.5m cable
SS3N203-G	PNP	Connettore M8 / Snap M8 plug connector
SS3M203-G	NPN	Connettore M8 / Snap M8 plug connector



They are all provided with a 3-wire flat cable and a LED.



OF...	SWP...
OF14...	SWP-014
OF20...	SWP-020
OF30...	SWP-030



In the ...S versions, the sensors are embedded in their slots. In the other versions, an external bracket (SWP-...) is required.