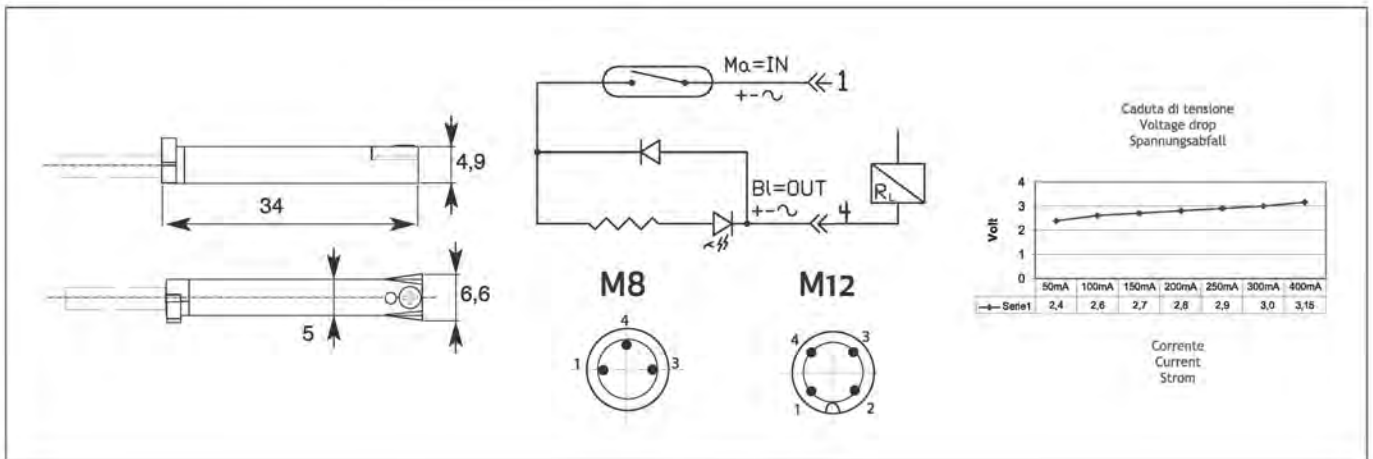


RS2I/RV2I



## MAGNETIC SENSORS



Housing	PA
Clamping system	A scatto Snap
Operating voltage	10 - 110V AC/DC 10 - 240V AC/DC
Working temperature	- 25 °C / + 90 °C
Switching current (max.)	400 mA a 25 °C

Sensor Type	PNP
Load (max.)	10 W DC - 8 VA AC
Operating indicator	LED Giallo LED Yellow LED Gelb
Protection class	IP 67 EN 60529 (DIN 40050)

### Codification



D = Diritto/Straight/Gerade - A = Angolato/Angle/Gewinkelt

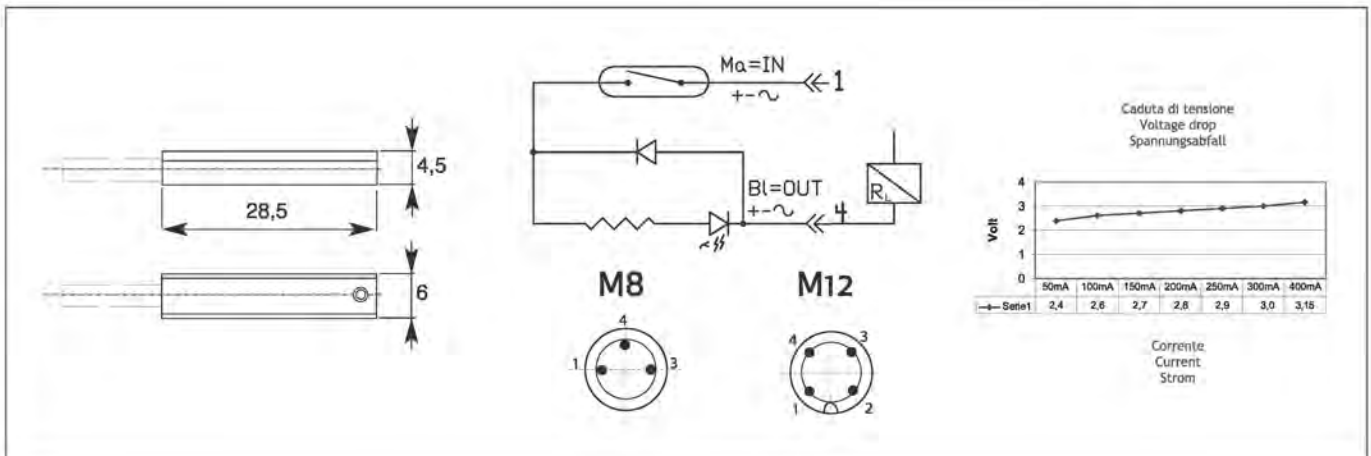
8 = M8 - 12 = M12

Lunghezza: dm/Length: dm/Länge: dm

S = 110 V - V = 240 V

## MAGNETIC SENSORS

RS2T/RV2T



Housing	PA
Clamping system Befestigung	Vite Screw
Operating voltage	10 - 110V AC/DC 10 - 240V AC/DC
Working temperature	- 25 °C / + 90 °C
Switching current (max.)	400 mA a 25 °C

Sensor Type	PNP
Load (max.)	10 W DC - 8 VA AC
Operating indicator	LED Giallo LED Yellow LED Gelb
Protection class	IP 67 EN 60529 (DIN 40050)

### Codification



D = Diritto/Straight/Gerade - A = Angolato/Angle/Gewinkelt

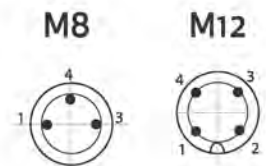
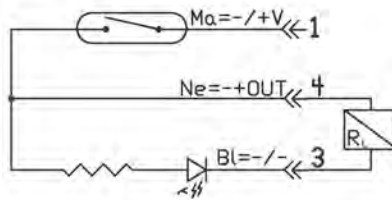
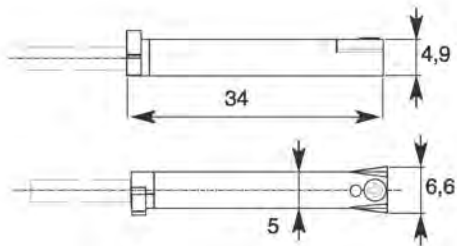
8 = M8 - 12 = M12

Lunghezza: dm/Length: dm/Länge: dm

S = 110 V - V = 240 V

MAGNETIC SENSORS

RS3I



Housing	PA
Clamping system	A scatto Snap
Operating voltage	5 - 30V DC
Working temperature	- 25 °C / + 90 °C
Switching current (max.)	400 mA a 25 °C

Type	PNP
Load (max.)	10 W DC - 8 VA AC
Operating indicator	LED Giallo LED Yellow LED Gelb
Protection class	IP 67 EN 60529 (DIN 40050)

Codification



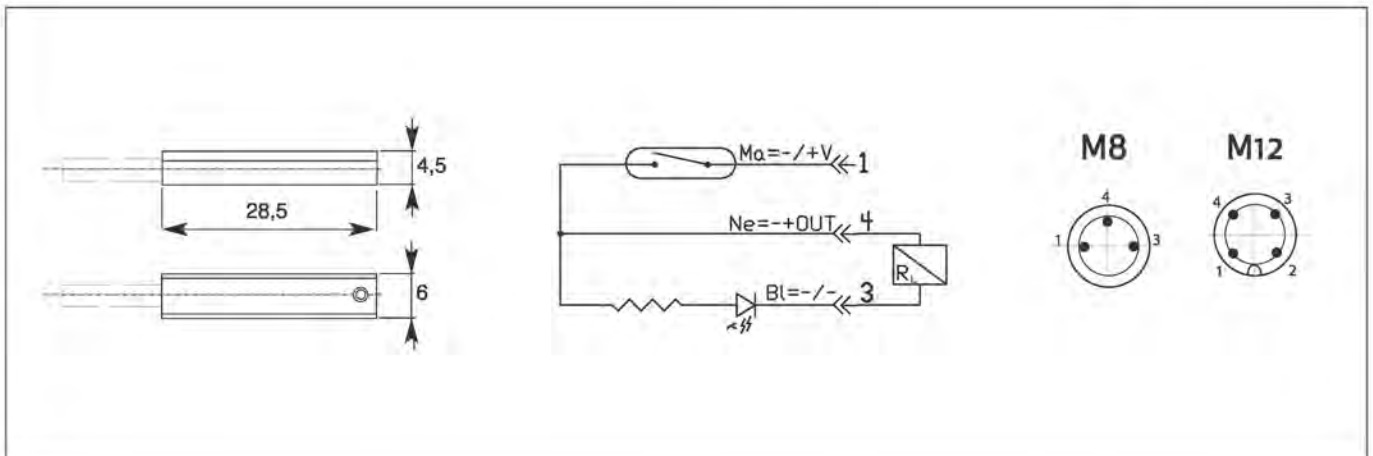
D = Diritto/Straight/Gerade - A = Angolato/Angle/Gewinkelt

8 = M8 - 12 = M12

Lunghezza: dm/Length: dm/Länge: dm

## MAGNETIC SENSORS

RS3T



Housing	PA
Clamping system	A vite Screw
Operating voltage	5 - 30V DC
Working temperature	- 25 °C / + 90 °C
Switching	

Sensor Type	PNP
Load (max.)	10 W DC - 8 VA AC
Operating indicator	LED Giallo LED Yellow LED Gelb
Protection class	IP 67 EN 60529 (DIN 40050)

### Codification



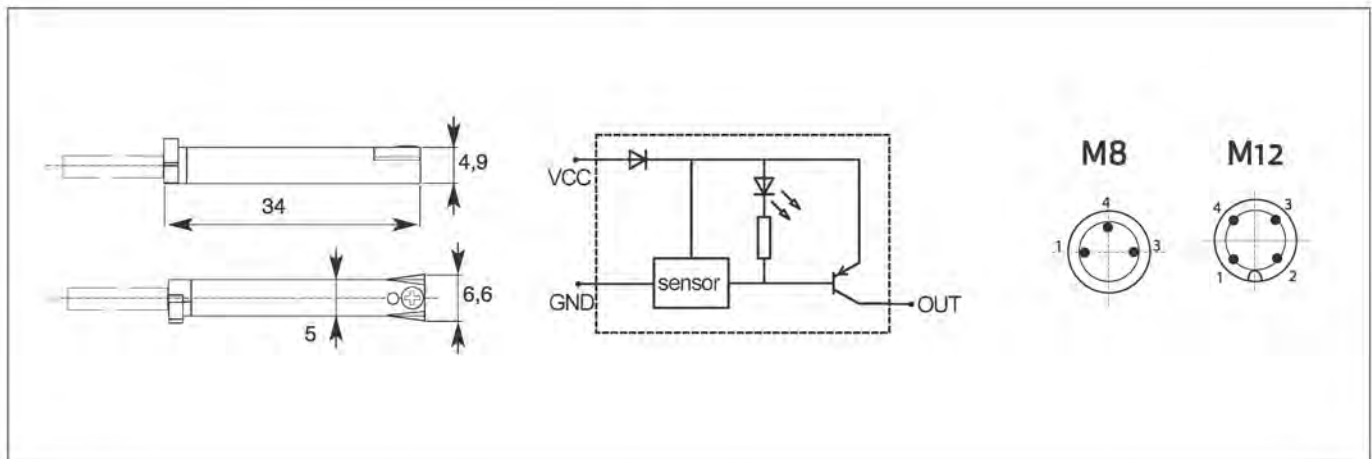
D = Diritto/Straight/Gerade - A = Angolato/Angle/Gewinkelt

8 = M8 - 12 = M12

Lunghezza: dm/Length: dm/Länge: dm

MAGNETIC SENSORS

GMPI



Housing	PA
Clamping system	A scatto Snap
Operating voltage	5 - 30V DC
Working temperature	- 25°C / + 90°C
Switching current (max.)	150 mA

Sensor Type	PNP
Field strenght	2,8 mT
Operating indicator	LED Giallo LED Yellow LED Gelb
Protection class	IP 67 EN 60529 (DIN 40050)

Codification



D = Diritto/Straight/Gerade - A = Angolato/Angle/Gewinkelt

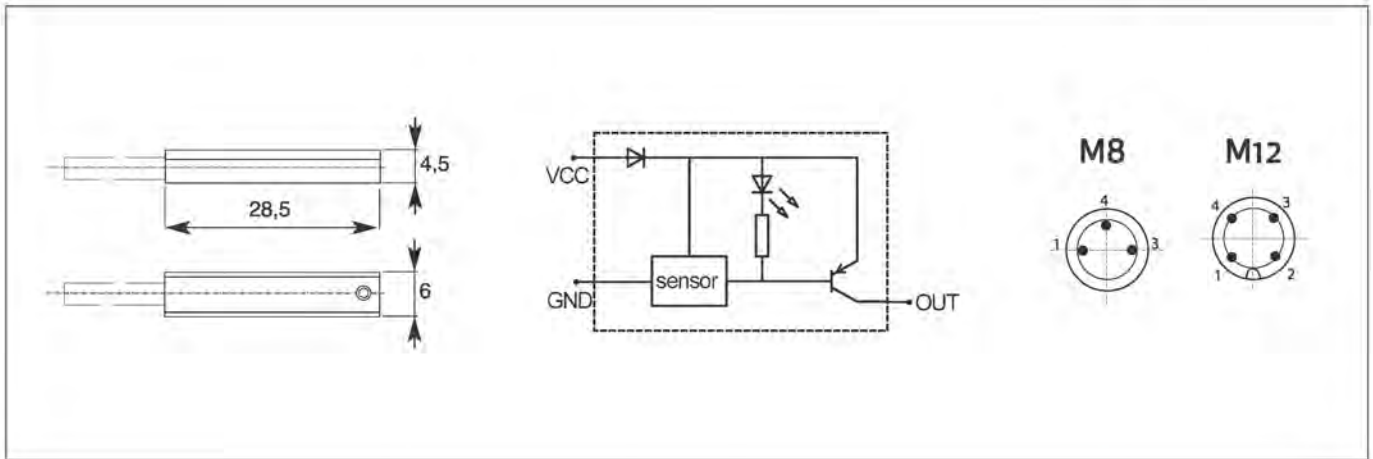
8 = M8 - 12 = M12

Lunghezza: dm/Length: dm/Länge: dm



## MAGNETIC SENSORS

GMPT



Housing	PA
Clamping system	Vite Screw
Operating voltage	5 - 30V DC
Working temperature	-25°C / +90°C
Switching	

Sensor Type	PNP
Field strenght	2,8 mT
Operating indicator	LED Giallo LED Yellow LED Gelb
Protection class	IP 67 EN 60529 (DIN 40050)

### Codification



D = Diritto/Straight/Gerade - A = Angolato/Angle/Gewinkelt

8 = M8 - 12 = M12

Lunghezza: dm/Length: dm/Länge: dm