

Sensor serie E

E Series	Heat resistance	Application cylinder	SCA2-L2T (E0), SSD-T1L (ET0)
-----------------	-----------------	----------------------	------------------------------



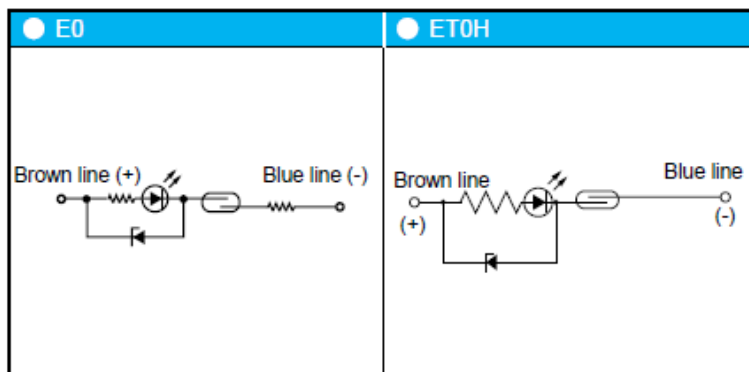
E0



ET0

Specifications

Descriptions	Reed 2 wire				
	E0			ET0	
Applications	Relay, programmable controller				
Load voltage	12/24 VDC	110 VAC	220 VAC	12/24 VDC	110 VAC
Load current	5 to 50mA	7 to 20mA	7 to 10mA	5 to 50mA	7 to 20mA
Internal voltage drop	4V or less			2.4V or less	
Leakage current	0mA				
Light	LED (ON lighting)				
Conduit	G1/2			-	



Sensor serie H

H Series	Strong magnetic field proof	Application cylinder	SCA2-L2, JSC3-L2, CAC3-L2, UCAC-L2
----------	-----------------------------	----------------------	------------------------------------



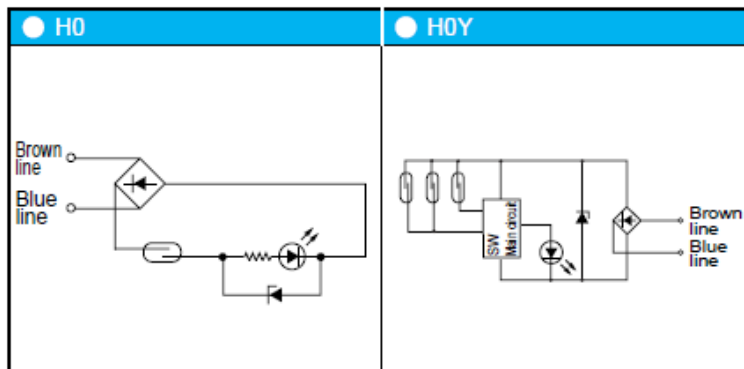
H0



H0Y

Specifications

Descriptions	Reed 2 wire		
	H0		H0Y (2 color indicator type)
Applications	Programmable controller, relay		Programmable controller
Load voltage	12/24 VDC	110 VAC	24 VDC
Load current	5 to 50mA	7 to 20mA	5 to 20mA
Internal voltage drop	5V or less		6V or less
Light	Green LED (ON lighting)		Red/green LED (ON lighting)
Leakage current	10 μ A or less		
Lead wire length	1m (flame resistance cabtire cable 2 conductor 0.5mm ²)		
Insulation resistance	100M Ω and over with 500 VDC megger		
Withstand voltage	No failure impressed at 1000 VAC for one minute		
Maximum shock resistance	294m/s ²		



Sensor serie K

K Series	1 color/2 color indicator	Application cylinder	SMD2, STR2, LCY
-----------------	----------------------------------	-------------------------	-----------------



K*PH



K*PV



K*YH



K*YV

Specifications

Descriptions	Proximity 2 wire		Proximity 3 wire		
	K2H/K2V	K2YH/K2YV	K3HV (NPN output type)	K3PHV (PNP output type)	K3YHV (2 color indicator type)
Applications	Programmable controller		Programmable controller, relay		
Output method	-		NPN output	PNP output	NPN output
Power voltage	-		10 to 28 VDC		
Load voltage	10 to 30 VDC		30 VDC or less		
Load current	5 to 20mA (Note 1)		50mA or less		
Current consumption	-		10mA or less with 24 VDC	12mA or less with 24 VDC	10mA or less with 24 VDC
Internal voltage drop	4V or less		0.5V or less		
Light	LED (ON lighting)	Red/green LED (ON lighting)	LED (ON lighting)	Yellow LED (ON lighting)	Red/green LED (ON lighting)

Sensor serie M

M Series	Application cylinder	SCP*2/FC*/RV*/SRL2/SRG/SRT/SRB2
-----------------	-------------------------	---------------------------------



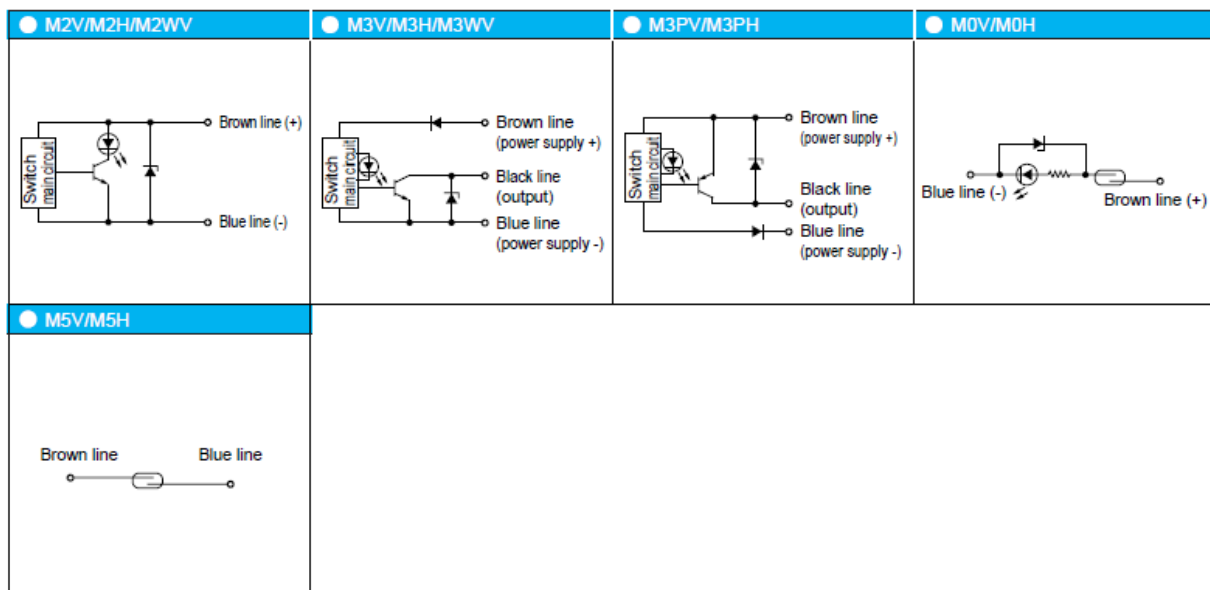
M*V



M*H

Specifications

Descriptions	Proximity 2 wire		Proximity 3 wire		
	M2V/M2H	M2WV (2 color indicator type)	M3H/V (NPN output type)	M3PH/V (PNP output type)	M3WV (2 color indicator type)
Applications	Programmable controller		Programmable controller, relay, IC circuit, small solenoid valve		
Output method	-		NPN output	PNP output	NPN output
Power voltage	-		4.5 to 28 VDC		10 to 28 VDC
Load voltage	10 to 30 VDC		30 VDC or less		
Load current	5 to 30mA		200mA or less	100mA or less	150mA or less
Current consumption	-		10mA or less with 24 VDC	12mA or less with 24 VDC	15mA or less with 24 VDC
Internal voltage drop	4V or less		0.5V or less		
Light	LED (ON lighting)	Red/green LED (ON lighting)	LED (ON lighting)	Yellow LED (ON lighting)	Red/green LED (ON lighting)



Sensor serie R

R Series	Application cylinder	CMA2, SCA2, SCS, HCA, JSM2, JSC3, MFC, CAV2, COV2, GLC, SHC, USC
-----------------	----------------------	--

CE Refer to Intro 21 for details.



R*/R*Y



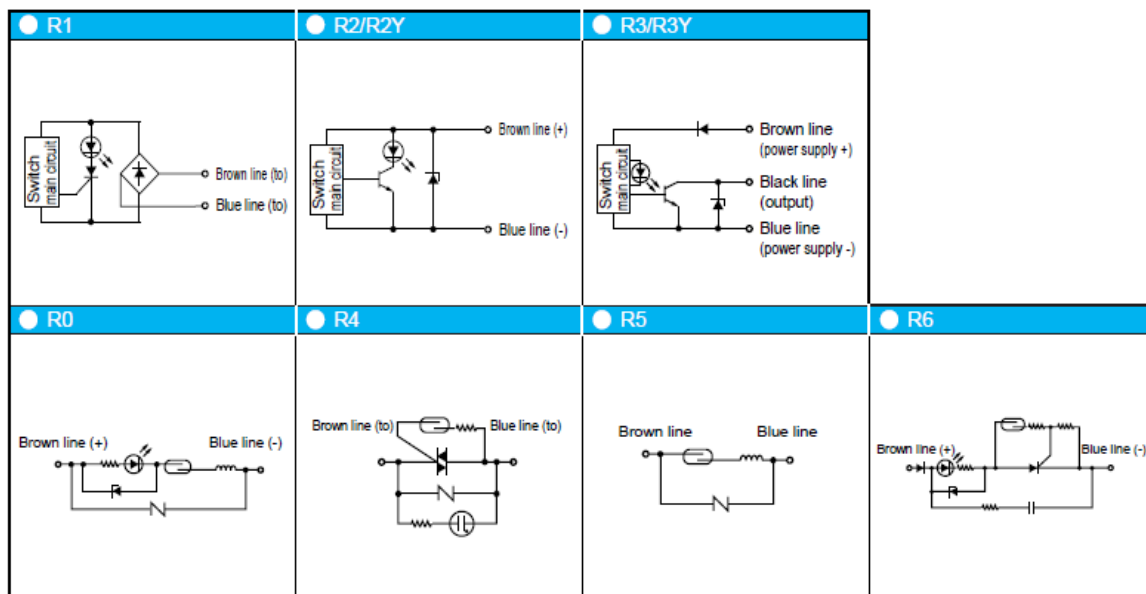
R*B



R*A

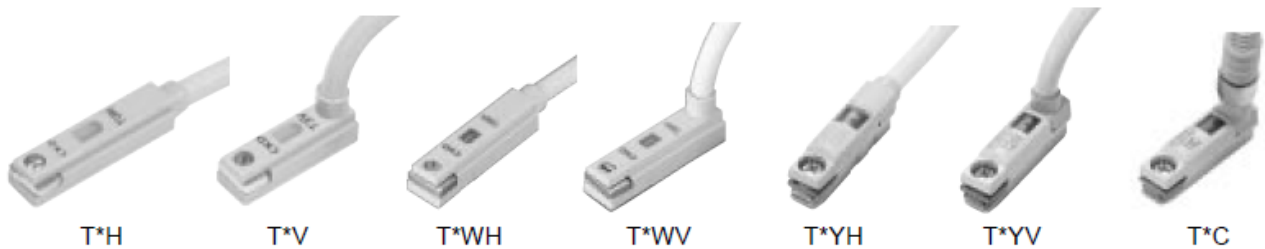
Specifications

Descriptions	Proximity 2 wire			Proximity 3 wire	
	R1/R1K	R2/R2K	R2Y/R2YK (2 color indicator type)	R3/R3K	R3Y/R3YK (2 color indicator type)
Applications	Programmable controller, relay, small solenoid valve	Programmable controller		Programmable controller, relay, IC circuit, solenoid valve	
Output method	-			NPN output	
Power voltage	-	-		4.5 to 28 VDC	
Load voltage	85 to 265 VAC	10 to 30 VDC		30 VDC or less	30 VDC or less
Load current	5 to 100mA	5 to 30mA		200mA or less	150mA or less
Current consumption	-	-		With 24 VDC (ON lighting)	
				10mA or less	16mA or less
Internal voltage drop	7V or less	4V or less		0.5V or less at 150mA	0.5V or less
Light	LED (ON lighting)		Red/green LED (ON lighting)	LED (ON lighting)	Red/green LED (ON lighting)



Sensor serie T

T Series	1 color/2 color indicator	Application cylinder	CMK2, SCM, SCG, CKV2, SSD, JSG, ULK, JSK2, STG, STS/STL, SRM, MRL2, MRG2, UCA2, STK, LCS, LCG, LCT, UCAC, HCM, CSC3, RRC, Hand-chuck
-----------------	----------------------------------	-----------------------------	--



Specifications

Descriptions	Proximity 2 wire					Proximity 3 wire				
	T1H/T1V	T2H/T2V/T2C	T2HR3/T2VR3 (2-wire resistance)	T2JH/T2JV (Off-delay type)	T2YH/T2YV T2YC (2 color indicator)	T2WH/T2WV (2 color indicator)	T3H/T3V/T3C	T3PH/T3PV (PNP output type)	T3YH/T3YV T3YC (2 color indicator)	T3WH/T3WV (2 color indicator)
Applications	-	Programmable controller					Programmable controller, relay			
Output method	-	-					NPN output	PNP output	NPN output	NPN output
Power voltage	-	-					10 to 28 VDC			
Load voltage	85 to 265 VAC	10 to 30 VDC		24 VDC ±10%		30 VDC or less				
Load current	5 to 100mA	5 to 20mA (Note 1)					100mA or less		50mA or less	
Current consumption	-	-					10mA or less with 24 VDC	12mA or less with 24 VDC	10mA or less with 24 VDC	
Internal voltage drop	7V or less	4V or less					0.5V or less			
Delay hour off	-	-		200 ± 50ms	-		-			
Light	LED (ON lighting)			Red/green LED (ON lighting)	Red/green LED (ON lighting)	LED (ON lighting)	Green LED (ON lighting)	Red/green LED (ON lighting)		

Sensor serie V

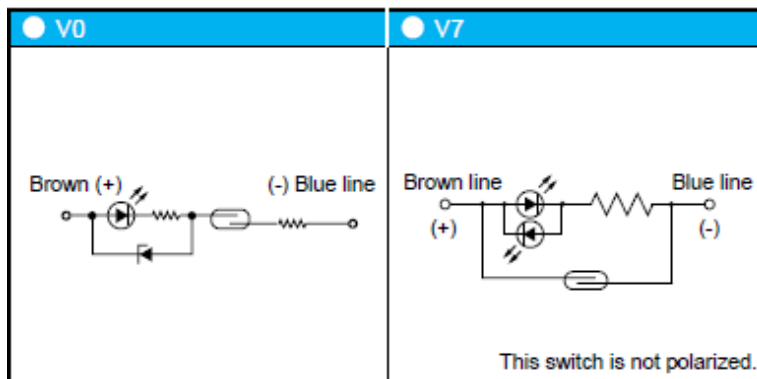
V Series	Small strong magnetic field proof	Application cylinder	SSD-L4, USSD-L4
----------	-----------------------------------	----------------------	-----------------



V0

Specifications

Descriptions	Reed 2 wire		
	V0		V7
Applications	Relay, programmable controller		
Load voltage	12/24 VAC	110 VAC	24 VDC
Load current	5 to 50mA	7 to 20mA	50mA or less
Internal voltage drop	2.4V or less (load current 40mA)		0V
Light	LED (ON lighting)		LED (OFF lighting)
Leakage current	0mA		1mA or less
Lead wire	1m (flame resistance cable 2 conductor 0.5mm ²)		



Sensor serie F

F Series	Application cylinder	LCS, LCG, LCM, MDC2, MSD, MSDG-L, MVC
-----------------	-------------------------	---------------------------------------



Specifications

Descriptions	Reed 2 wire	Proximity 2 wire		Proximity 3 wire	Proximity 3 wire
	F0H/V	F2H/V	F2YH/F2YV	F3H/V	F3YH/F3YV
Applications	Programmable controller			Programmable controller, relay	
Output method	-			NPN output	
Power voltage	-			10 to 28 VDC	
Load voltage	24 VDC	10 to 30 VDC	24 VDC \pm 10%	30 VDC or less	
Load current	5 to 20mA (Note 1)			50mA or less	
Current consumption	-			10mA or less with 24 VDC	
Internal voltage drop	4V or less			0.5V or less	
Light	Yellow LED (ON lighting)		Red/green LED (ON lighting)	Yellow LED (ON lighting)	Red/green LED (ON lighting)
Leakage current	1mA or less			10 μ A or less	

