

rtc[®]

QUICK CONNECT TECHNOLOGY



Safe locking mechanism
Prevents accidental disconnection
due to mechanical or vibration forces.

126

rtc TYPE



rtc 126 Type Couplers are non-spill specially high pressure pulsating and vibrating hydraulic lines.



Materials of Sockets

Coupler body	Stainless Steel
Back Part	Stainless Steel
Loking Sleeve	AISI - 420 Stainless Steel Hardened
Valve	Stainless Steel
Springs	AISI - 302
Seals	Nitrile (NBR)
Dust cups	Aluminium

Materials of Plugs,

Plug Body	Stainless Steel
Plug Back Part	Steel & Galvanized
Loking Sleeve	High mechanical strengt alloy steel hardned
Valve	Stainless Steel
Dust cups	Aluminium

Standard version

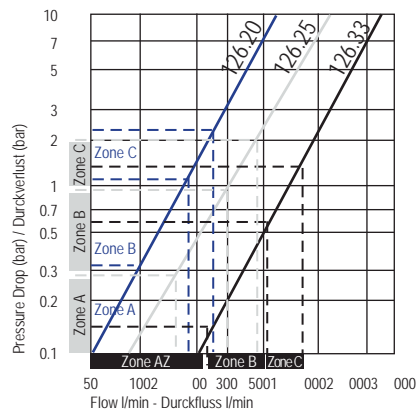
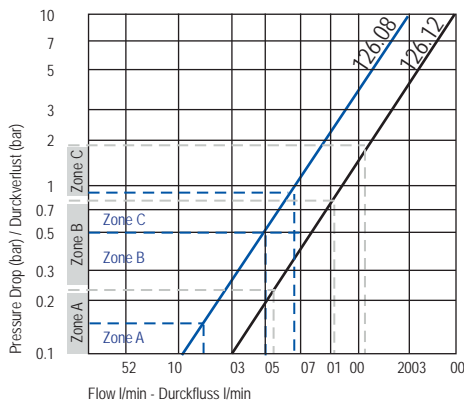
Nitrile (NBR)
-10 °C +100 °C (+14 °F +212 °F)

Options

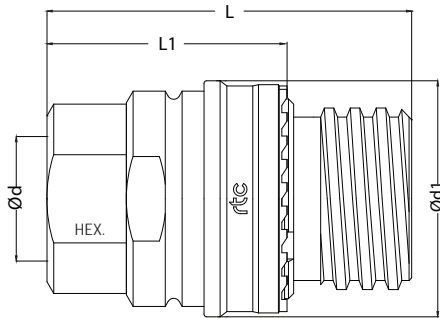
Fluorocarbone - FPM (V)
-10 °C +150 °C (+14 °F +302 °F)
Polyurethane - PU
-10 °C +80 °C (+14 °F +176 °F)
Ethylene - Propylene - EPDM (E)
-25 °C +150 °C (-13 °F +176 °F)
Glycol water, Skydrol ®



	126.08	126.12	126.20	126.25	126.33
Max. Working Pressure	500 bar	500 bar	500 bar	500 bar	350 bar
Flow Diameter	8 mm	12 mm	20 mm	25 mm	33 mm
Flow Area	50 mm ²	113 mm ²	314 mm ²	491 mm ²	855 mm ²
Double Shut-off					



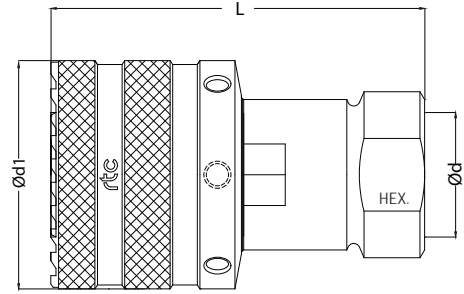
rtc TYPE 126 Socket / Kupplung



Female thread socket

126.08 Order No / Bestellnr.	Body Size	Connection (D)	D1	L	L1	HEX.
126.08 SFB 21	08	BSP 1/2	50	75	45.5	32
126.08 SNB 21	08	NPT 1/2	50	75	45.5	32
126.08 SUB 1916	08	UNF 3/4-16	50	75	45.5	32

rtc TYPE 126 Plug / Nippel



Female thread plug

126.08 Order No / Bestellnr.	Body Size	Connection (D)	D1	L	L1	HEX.
126.08 PFB 21	08	BSP 1/2	47	95	-	30
126.08 PNB 21	08	NPT 1/2	47	95	-	30
126.08 PUB 1916	08	UNF 3/4-16	47	89	-	30

126.12 Order No / Bestellnr.	Body Size Größe	Connection Anschluss (D)	D1	L	L1	HEX.
126.12 SFB 26	12	BSP 3/4	60	94	58.5	46
126.12 SNB 26	12	NPT 3/4	60	94	58.5	46
126.12 SUB 2712	12	UNF 1-1/16-12	60	99	64	46

126.12 Order No / Bestellnr.	Body Size	Connection (D)	D1	L	L1	HEX.
126.12 PFB 26	12	BSP 3/4	57	107	-	38
126.12 PNB 26	12	NPT 3/4	57	107	-	38
126.12 PUB 2712	12	UNF 1-1/16-12	57	110	-	38

126.20 Order No / Bestellnr.	Body Size	Connection (D)	D1	L	L1	HEX.
126.20 SFB 33	20	BSP 1	73	110	69.5	50
126.20 SNB 33	20	NPT 1	73	110	69.5	50
126.20 SUB 3312	20	UNF 1-5/16-12	73	110	69.5	50

126.20 Order No / Bestellnr.	Body Size	Connection (D)	D1	L	L1	HEX.
126.20 PFB 33	20	BSP 1	70	124	-	46
126.20 PNB 33	20	NPT 1	70	124	-	46
126.20 PUB 3312	20	UNF 1-5/16-12	70	122	-	46

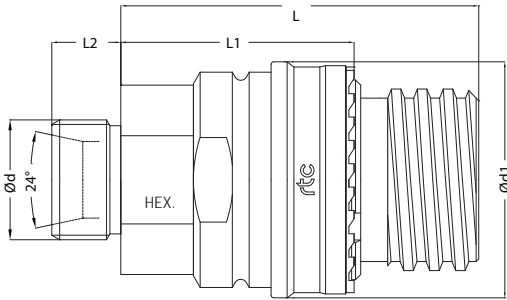
126.25 Order No / Bestellnr.	Body Size	Connection (D)	D1	L	L1	HEX.
126.25 SFB 42	25	BSP 1-1/4	91	140.5	88	65
126.25 SNB 42	25	NPT 1-1/4	91	140.5	88	65
126.25 SUB 4112	25	UNF 1-5/8-12	91	140.5	88	65

126.25 Order No / Bestellnr.	Body Size	Connection (D)	D1	L	L1	HEX.
126.25 PFB 42	25	BSP 1-1/4	88	139.5	-	58
126.25 PNB 42	25	NPT 1-1/4	88	137.5	-	58
126.25 PUB 4112	25	UNF 1-5/8-12	88	137.5	-	58

126.33 Order No / Bestellnr.	Body Size	Connection (Ød)	Ød1	L	L1	HEX.
126.33 SFB 48	33	G 1-1/2	109	153	94.5	80
126.33 SNB 48	33	NPT 1-1/2	109	153	94.5	80
126.33 SUB 4712	33	UNF 1-7/8-12	109	153	94.5	80

126.33 Order No / Bestellnr.	Body Size	Connection (D)	D1	L	L1	HEX.
126.33 PFB 48	33	BSP 1-1/2	108	157	-	70
126.33 PNB 48	33	NPT 1-1/2	108	157	-	70
126.33 PUB 4712	33	UNF 1-7/8-12	108	157	-	70

rtc TYPE 126 Socket / Kupplung



Male threaded sockets for hydraulic pipes with 24° taper according to ISO 8434-1 (type: S)

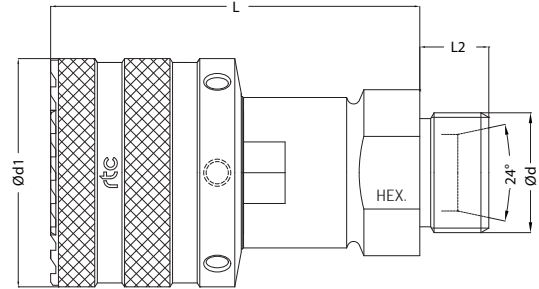
126.08	Body Size	Connection (Ød)	Ød1	Ød2	Ød3	L	L1	L2	HEX.
Order No / Bestellnr.									
126.08 SMB 2015-12	08	M 20x1.5-Ø12	50	-	-	74	45	12	32
126.08 SMB 2415-16	08	M 24x1.5-Ø16	50	-	-	74	45	14	32

126.12	Body Size	Connection (Ød)	Ød1	Ød2	Ød3	L	L1	L2	HEX.
Order No / Bestellnr.									
126.12 SMB 2415-16	12	M 24x1.5-Ø16	60	-	-	94	59	14	46
126.12 SMB 3020-20	12	M 30x2.0-Ø20	60	-	-	94	59	16	46

126.20	Body Size	Connection (Ød)	Ød1	Ød2	Ød3	L	L1	L2	HEX.
Order No / Bestellnr.									
126.20 SMB 3020-20	20	M 30x2.0-Ø20	73	-	-	108	68	20	50

126.25	Body Size	Connection (Ød)	Ød1	Ød2	Ød3	L	L1	L2	HEX.
Order No / Bestellnr.									
126.25 SMB 4220-30	25	M 42x2.0-Ø30	91	-	-	131	78	22	65

rtc TYPE 126 Plug / Nippel



Male threaded Plugs for hydraulic pipes with 24° taper according to ISO 8434-1 (type: S)

126.08	Body Size	Connection (Ød)	Ød1	Ød2	Ød3	L	L1	L2	HEX.
Order No / Bestellnr.									
126.08 PMB 2015-12	08	M 20x1.5-Ø12	47	-	-	88	-	12	30
126.08 PMB 2415-16	08	M 24x1.5-Ø16	47	-	-	88	-	14	30

126.12	Body Size	Connection (Ød)	Ød1	Ød2	Ød3	L	L1	L2	HEX.
Order No / Bestellnr.									
126.12 PMB 2015-16	12	M 24x1.5-Ø16	57	-	-	99	-	14	38
126.12 PMB 2415-20	12	M 30x2.0-Ø20	57	-	-	99	-	16	38

126.20	Body Size	Connection (Ød)	Ød1	Ød2	Ød3	L	L1	L2	HEX.
Order No / Bestellnr.									
126.20 PMB 3020-20	20	M 30x2.0-Ø20	70	-	-	109	-	20	46

126.25	Body Size	Connection (Ød)	Ød1	Ød2	Ød3	L	L1	L2	HEX.
Order No / Bestellnr.									
126.25 PMB 4220-30	25	M 42x2.0-Ø30	88	-	-	134	-	22	56

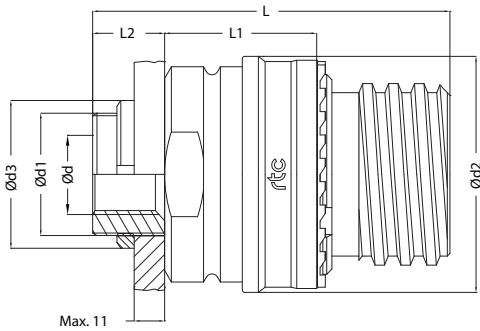


Coloured Dust Caps

Option available for 126.08 to 126.25
add the colour code to the end of
socket and plug part-numbers.

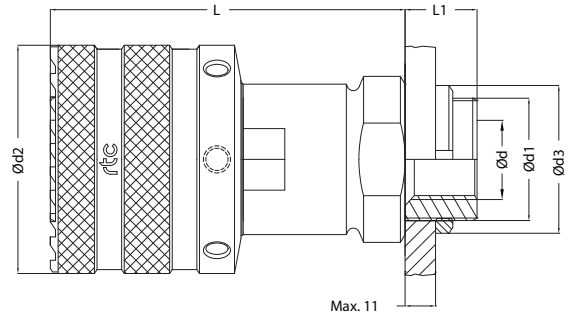
- MY = yellow anodised cap
- MR = red anodised cap
- MB = blue anodised cap
- M = natural anodised cap

rtc TYPE 126 Socket / Kupplung



Panel Mounting Female Threaded Sockets

rtc TYPE 126 Plug / Nippel



Panel Mounting Female Threaded Plug

126.08	Body Size	Connection (Ød)	Ød1	Ød2	Ød3	L	L1	L2	HEX.
Order No / Bestellnr.									
126.08 SFBP 21	08	BSP 1/2	50	31	44	71	41	22	36
126.08 SNBP 21	08	NPT 1/2	50	31	44	71	41	22	36
126.08 SUBP 1916	08	UNF 3/4-16	50	31	44	71	41	22	36

126.08	Body Size	Connection (Ød)	Ød1	Ød2	Ød3	L	L1	L2	HEX.
Order No / Bestellnr.									
126.08 PFBP 21	08	BSP 1/2	47	31	44	85	22	-	35
126.08 PNBP 21	08	NPT 1/2	47	31	44	85	22	-	35
126.08 PUBP 1916	08	UNF 3/4-16	47	31	44	85	22	-	35

126.12	Body Size	Connection Anschluss (Ød)	Ød1	Ød2	Ød3	L	L1	L2	HEX.
Order No / Bestellnr.									
126.12 SFBP 26	12	BSP 3/4	60	41	56	91	56	22	46
126.12 SNBP 26	12	NPT 3/4	60	41	56	91	56	22	46
126.12 SUBP 2712	12	UNF 1-1/16-12	60	41	56	91	56	22	46

126.12	Body Size	Connection (Ød)	Ød1	Ød2	Ød3	L	L1	L2	HEX.
Order No / Bestellnr.									
126.12 PFBP 26	12	BSP 3/4	57	41	56	96	22	-	56
126.12 PNBP 26	12	NPT 3/4	57	41	56	96	22	-	56
126.12 PUBP 2712	12	UNF 1-1/16-12	57	41	56	96	22	-	56

126.20	Body Size	Connection (Ød)	Ød1	Ød2	Ød3	L	L1	L2	HEX.
Order No / Bestellnr.									
126.20 SFBP 33	20	BSP 1	73	51	68	102	62	24	56
126.20 SNBP 33	20	NPT 1	73	51	68	102	62	24	56
126.20 SUBP 3312	20	UNF 1-1/16-12	73	51	68	102	62	24	56

126.20	Body Size	Connection (Ød)	Ød1	Ød2	Ød3	L	L1	L2	HEX.
Order No / Bestellnr.									
126.20 PFBP 33	20	BSP 1	70	51	68	107	24	-	56
126.20 PNBP 33	20	NPT 1	70	51	68	107	24	-	56
126.20 PUBP 3312	20	UNF 1-5/16-12	70	51	68	107	24	-	56

126.25	Body Size	Connection (Ød)	Ød1	Ød2	Ød3	L	L1	L2	HEX.
Order No / Bestellnr.									
126.25 SFBP 42	25	BSP 1-1/4	91	61	81	131	79	26.5	65
126.25 SNBP 42	25	NPT 1-1/4	91	61	81	131	79	26.5	65
126.25 SUBP 4112	25	UNF 1-5/8-12	91	61	81	131	79	26.5	65

126.25	Body Size	Connection (Ød)	Ød1	Ød2	Ød3	L	L1	L2	HEX.
Order No / Bestellnr.									
126.25 PFBP 42	25	BSP 1-1/4	88	61	81	132	26.5	-	81
126.25 PNBP 42	25	NPT 1-1/4	88	61	81	132	26.5	-	81
126.25 PUBP 4112	25	UNF 1-5/8-12	88	61	81	132	26.5	-	81