

# rtc<sup>®</sup>

QUICK CONNECT TECHNOLOGY



# 219

rtc TYPE





**Temperature Range**

-20°C +325°C (-4°F +617°F) FFKM (W)

**Max. Working Pressure**

rtc 219.12 20 bar (290 PSI)

rtc 219.12 20 bar (290 PSI)

**Flow size**

rtc 219.12 12 mm

rtc 219.19 19 mm

**Using Area**

High temperature (325°C) thermal oil coupler with double shut-off valving system.  
Able to use for heat transfer equipments.

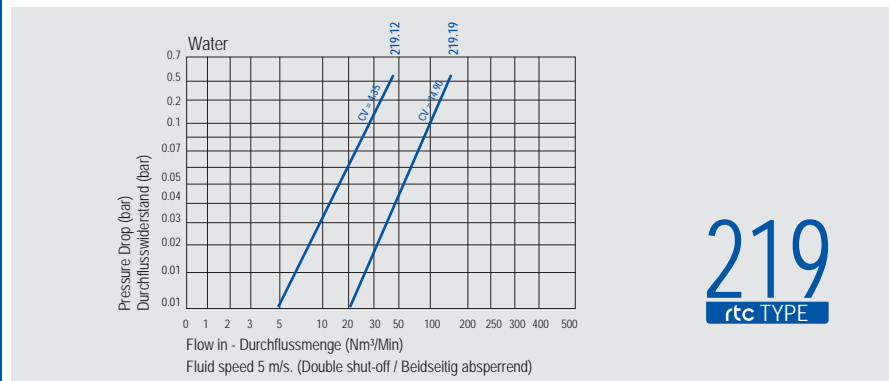
**Working Principle**

Leak-Tight on connection and disconnection of the plug.  
PTFE heat protected hand grips on the latch to unlock the plug under high temperature.  
Automatic locking is provided by double latches on the coupler body.

**Material**

Socket Body	Steel oil burnished
Valve	Steel oil burnished
Springs	Stainless Steel
Seals	FFKM (W)
Handle	Steel with PTFE
Plug	Steel oil burnished

Flow Rate vs Pressure Drop Graph

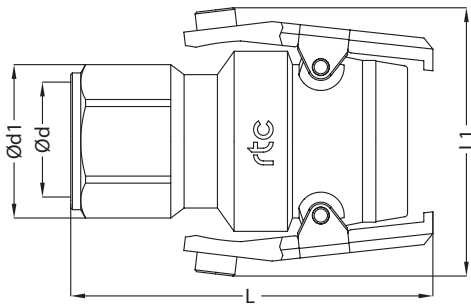


**rtc** TYPE 219

Socket with female thread / Kupplung mit Innengewinde



Socket



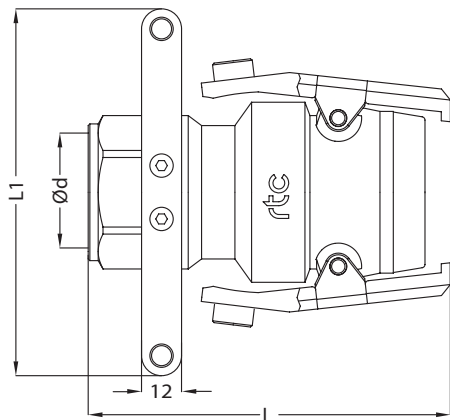
Size	Order No	Connection ( $\varnothing d$ )	$\varnothing d1$	L	L1	HEX.
12	219.12 SFB 26	BSP 3/4	41	98	65	36
19	219.19 SFB 26	BSP 3/4	46	108	80	41
19	219.19 SFB 33	BSP 1	46	108	80	41

**rtc** TYPE 219

Socket with female thread and handle / Kupplung mit Innengewinde und Handgriff



Socket



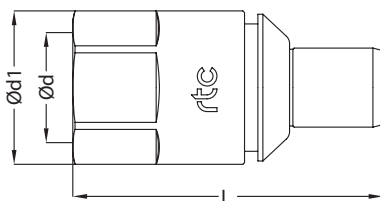
Size	Order No	Connection ( $\varnothing d$ )	L	L1	HEX.
12	219.12 SFB 26-HA	BSP 3/4	98	110	36
19	219.19 SFB 26-HA	BSP 3/4	108	110	41
19	219.19 SFB 33-HA	BSP 1	108	110	41

**rtc** TYPE 219

Female thread plug / Nippel mit Innengewinde



Plug



Size	Order No	Connection ( $\varnothing d$ )	$\varnothing d1$	L	HEX.
12	219.12 PFB 26	BSP 3/4	34	92	34
19	219.19 PFB 26	BSP 3/4	46	93	41
19	219.19 PFB 33	BSP 1	46	93	41