

A-HD SERIES

INTERCHANGE > ISO 16028 - NFPA T3.20.15 - HTMA (size 3/8")



Stucchi®



TECHNICAL FEATURES AND OPTIONS

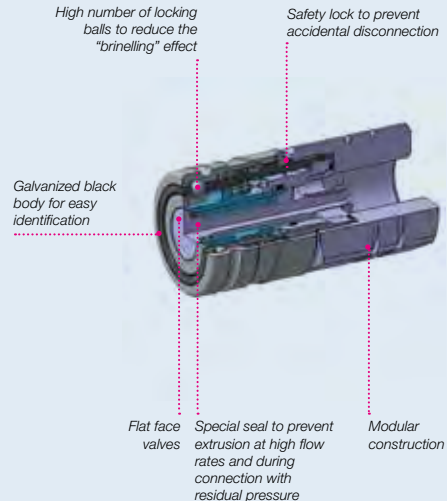
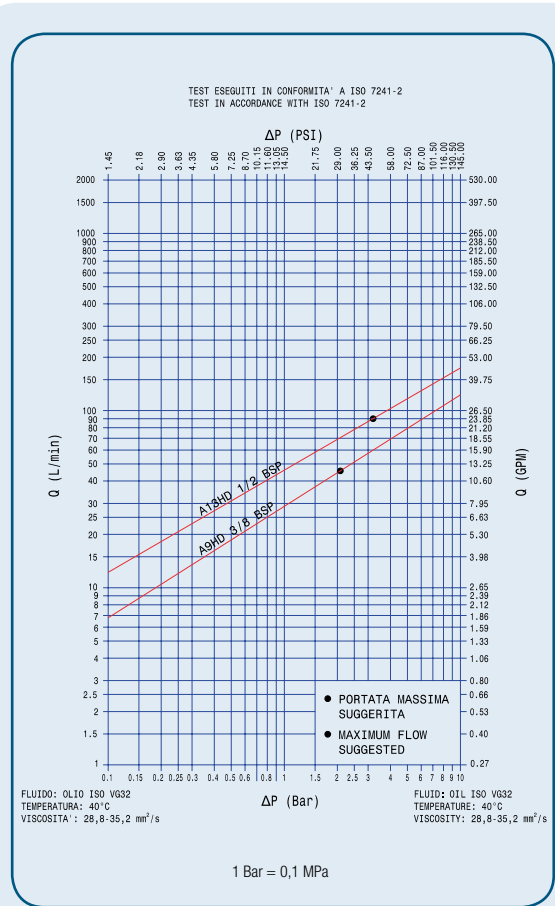
	Interchange ISO 16028 NFPA T3.20.15 HTMA (size 3/8")		Sealing description Nitrile NBR & POM		Connection system Push
	Available sizes from 3/8" to 1/2"		Material/treatment Carbon steel /Cr3		Available threads BSP - NPT - SAE
	Operating pressure Up to 350 bar		Locking mechanism Locking ball + Safety Lock		Flow rate Up to 90 L/Min
	Temperature (°C) -20° / +100°		Valving style Flat face		Connection under pressure Connection: Female side only (see Benefits). Disconnection: Not allowed.

BENEFITS

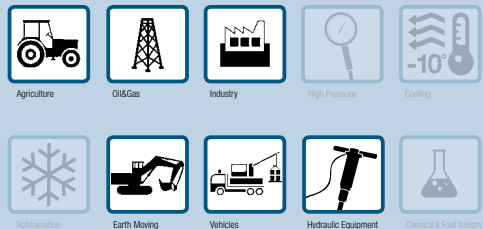
- Easy connection with female side under residual pressure (male side to drain) thanks to the special Stucchi design.
- Flat face is easy to clean, reducing the inclusion of contamination inside the hydraulic circuit.
- Minimal fluid spillage during disconnection, reducing fluid spillage to the environment.
- Minimal air inclusion during connection.
- Internal valve design creates minimal pressure drop and maintaining circuit efficiency in the system
- The modular design allows flexibility with a wide range of configurations.
- Good resistance to pressure impulses.
- Galvanized black body for easy identification
- Compact slim design.
- Safe and simple to use.

HOW TO USE

- Before to connect, clean the mating surface of the couplings to avoid dirt inclusion in the circuit.
- To connect push the male half towards the female half or vice versa.
- After connection turn the external sleeve to engage safety lock function, to prevent accidental disconnection.
- To disconnect turn the external sleeve until the sleeve lock notch match the safety lock ball and push back the sleeve.



MAIN APPLICATIONS





PERFORMANCES

Size		Series/Size	Max. flow suggested		Connect force		Disconnect force		Spillage*
Inch	mm (ISO)		l/min	GPM	N	lbf	N	lbf	ml
3/8	10	F -A9HD	46	12,19	190	42,75	30	6,75	0,01
1/2	12,5	F- A13HD	90	23,85	170	38,25	55	12,37	0,02

Size	Series/Size	Max. operating pressure				Burst pressure			
		Coupled		Female		Coupled		Female	
Inch		MPa	psi	MPa	psi	MPa	psi	MPa	psi
3/8	F- A9HD	35	5075	35	5075	100	14500	100	14500
1/2	F- A13HD	33	4785	33	4785	100	14500	100	14500

*Spillage is an indicative value of the fluid loss during disconnection (according to ISO norm test method)

Theoretical calculation of connect force with residual pressure:

$$F_p \text{ (N) size } 3/8'' = F_i + (P_f \times 44)$$

$$F_p \text{ (N) size } 1/2'' = F_i + (P_f \times 66)$$

F_p = Connection force with residual pressure (N)

F_i = Connection force without residual pressure (N)

P_f = Residual pressure in the female coupling (MPa)

EXAMPLE

To connect the female coupling A9HD with 5 Mpa of residual pressure,

The following force is necessary:

$$F_p = F_i + (P_f \times 44) = 190 + (5 \times 44) = 410 \text{ N}$$

This is the maximum force required to open the female valve in order to release pressure.

It is not necessary to apply this force during the entire connection but just for a short stroke. (about 1mm)

Temperature range:

Standard seals in NBR and POM: from -20 °C to +100 °C

(from -4 °F to +212 °F).

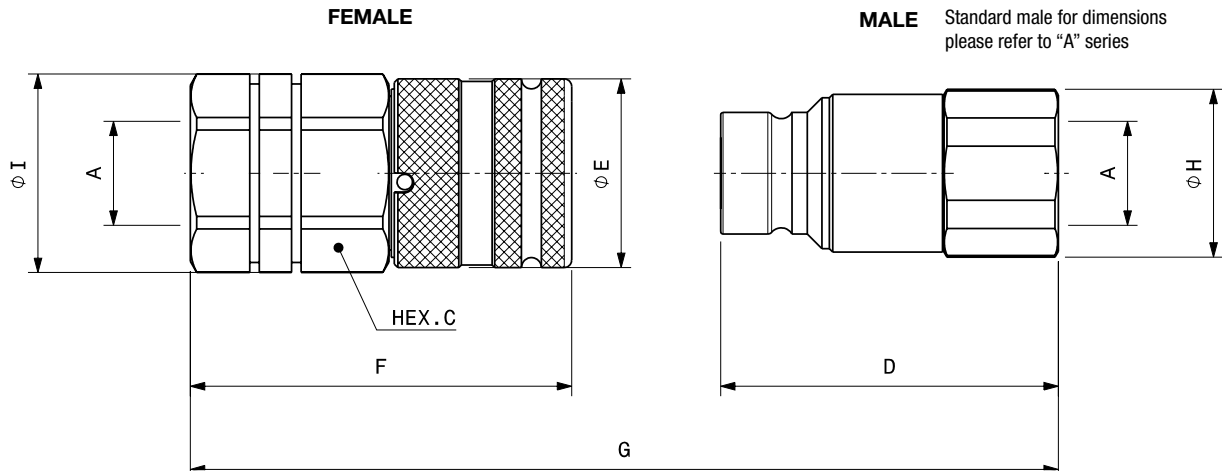
Please read carefully "instruction and warning" for proper selection of the products.

Tests performed:

Tested with male couplings "A" series

The couplings have been tested at max. operating pressure for 1.000.000 impulses in connected position according to ISO norm test method.

OVERALL DIMENSIONS



Port description: FEMALE THREAD BSPP (ISO 1179-1)

BODY SIZE	Descriptive Code	Item Code	ISO DN	PORT (A)	Overall Length		Length		Hex		Diameter		Diameter		Weight						
					mm	inch	mm	inch	mm	inch	mm	inch	mm	inch	Kg	Lbs					
3/8"	A9HD 3/8 BSP	Female 808300004	10,0	3/8"	G	(F+D)-16	(F+D)-0,630	F	64,8	2,55	C	30,0	1,18	I	32,0	1,26	E	32,0	1,26	0,28	0,62
3/8"	A9HD 1/2 BSP	Female 808300006	10,0	1/2"	G	(F+D)-16	(F+D)-0,630	F	69,8	2,75	C	30,0	1,18	I	32,0	1,26	E	32,0	1,26	0,29	0,64
1/2"	A13HD 1/2 BSP	Female 808300008	12,5	1/2"	G	(F+D)-17,3	(F+D)-0,681	F	76,8	3,02	C	36,0	1,42	I	40,0	1,57	E	38,0	1,50	0,47	1,03
1/2"	A13HD 3/4 BSP	Female 808300010	12,5	3/4"	G	(F+D)-17,3	(F+D)-0,681	F	83,8	3,30	C	36,0	1,42	I	40,0	1,57	E	38,0	1,50	0,48	1,06

Port description: FEMALE THREAD NPT (ANSI B.1.20.1)

BODY SIZE	Descriptive Code	Item Code	ISO DN	PORT (A)	Overall Length		Length		Hex		Diameter		Diameter		Weight						
					mm	inch	mm	inch	mm	inch	mm	inch	mm	inch	Kg	Lbs					
1/2"	F A13HD 1/2 NPT	Female 808301008	12,5	1/2"	G	(F+D)-16	(F+D)-0,630	F	76,8	3,02	C	36,0	1,42	I	40,0	1,57	E	38,0	1,50	0,47	1,04
1/2"	F A13HD 3/4 NPT	Female 808301010	12,5	3/4"	G	(F+D)-16	(F+D)-0,630	F	83,8	3,30	C	36,0	1,42	I	40,0	1,57	E	38,0	1,50	0,49	1,07

Port description: FEMALE THREAD SAE (ISO 11926-1 & SAE J1926-1)

BODY SIZE	Descriptive Code	Item Code	ISO DN	PORT (A)	Overall Length		Length		Hex		Diameter		Diameter		Weight						
					mm	inch	mm	inch	mm	inch	mm	inch	mm	inch	Kg	Lbs					
3/8"	F A9HD 1/2 SAE	Female 808304008	10,0	3/4-16 UNF	G	(F+D)-16	(F+D)-0,630	F	69,8	2,75	C	30,0	1,18	I	32,0	1,26	E	32,0	1,26	0,30	0,66
3/8"	F A9HD 5/8 SAE	Female 808304010	10,0	7/8-14UNF	G	(F+D)-17,3	(F+D)-0,681	F	71,8	2,83	C	30,0	1,18	I	32,0	1,26	E	32,0	1,26	0,29	0,64
1/2"	F A13HD 1/2 SAE	Female 808304016	12,5	3/4-16UNF	G	(F+D)-17,3	(F+D)-0,681	F	76,8	3,02	C	36,0	1,42	I	40,0	1,57	E	38,0	1,50	0,48	1,05
1/2"	F A13HD 5/8 SAE	Female 808304012	12,5	7/8-14UNF	G	(F+D)-17,6	(F+D)-0,693	F	78,8	3,10	C	36,0	1,42	I	40,0	1,57	E	38,0	1,50	0,47	1,04
1/2"	F A13HD 3/4 SAE	Female 808304014	12,5	1-1/16-12UNF	G	(F+D)-22	(F+D)-0,866	F	83,8	3,30	C	36,0	1,42	I	40,0	1,57	E	38,0	1,50	0,47	1,03

Also possible with following male threads:

- SAE
- JIC
- JIC Bulkhead

Please check availability by contacting your Stucchi contact

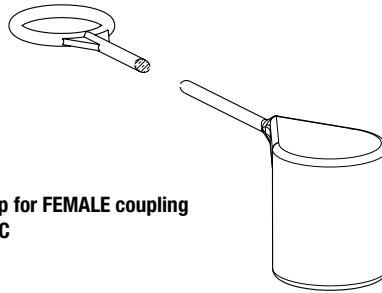
To calculate G see measure D in the leaflet A series

PROTECTIVE CAPS FOR A-HD SERIES

Protective caps are always recommended to protect the couplings from damage, dirt inclusion, and will increase the product life. This is particularly important in mobile applications where exposure to weather and aggregate materials are common.

The protective caps for A-HD couplings are manufactured in two versions:

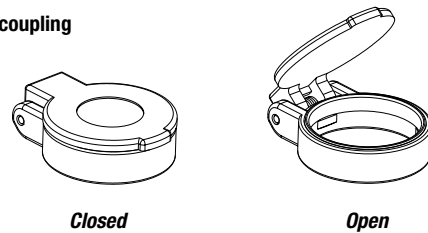
- PVC with connection lanyard (standard color red, other colors available upon request).
- Nylon flip caps version (standard color red, other colors available upon request).



**Cap for FEMALE coupling
PVC**

Body Size/Description		Protective Cap	
		Part Number	Material/Color
		Cap for Female	
3/8"	F A9HD	815100002	PVC/Red
1/2"	F A13HD	815100004	PVC/Red

**Cap for FEMALE coupling
Red Plastic**



Closed

Open

Body Size/Description		Protective Cap	
		Part Number	Material/Color
		Cap for Female	
3/8"	A9HD	815200002	Nylon/Red
1/2"	A13HD	815200004	Nylon/Red