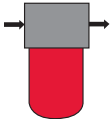


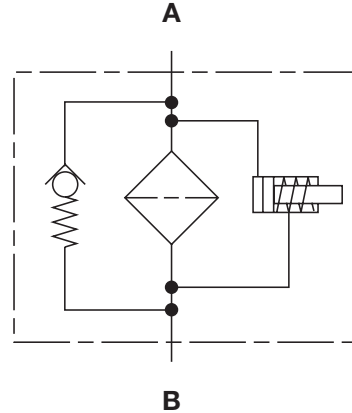
FLN Series

Inline Filters — to DIN 24550

360 psi • up to 100 gpm



Hydraulic Symbol



Features

- Aluminum alloy is water tolerant - anodization is not required for high water based fluids (HWBF).
- Non-welded housing design reduces stress concentrations and prevents fatigue failure.
- SAE straight thread O-ring boss porting to allow easy installation without costly adapters.
- O-ring axial seals are used to provide positive, reliable sealing.
- Screw-in bowl mounted below the filter head requires minimal clearance to remove the element for replacement, and contaminated fluid cannot be washed downstream when element is serviced.
- Differential Pressure Indicators. HYDAC indicators have no external dynamic seal. This results in a high system reliability due to magnetic actuation, thus eliminating a potential leak point.
- A poppet-type bypass valve (optional) is mounted in-line between the inlet and outlet ports to provide positive sealing during normal operation and fast opening during cold starts and flow surges.
- This filter meets the requirements of DIN 24550 as follows:
 - Filter size 0160 with G 1-1/4" port selection
 - Filter size 0250 with G 1-1/2" port selection
 - Filter size 0400 with SAE-DN 38 1-1/2" Flange
- Bypass versions of FLN filters have the bypass valve located in the filter head.

Technical Specifications

Mounting Method	2 mounting holes in the filter head
Port Connection	Inlet / Outlet 1-1/4" Threaded – SAE 20, 1-1/4" BSPP 1-1/2" Threaded – SAE 24, 1-1/2" BSPP 1-1/2" Flange-SAE-DN 38
Flow Direction	Inlet: Side Outlet: Opposite Side
Construction Materials	
Head, Bowl	Aluminum
Flow Capacity	
160	43 gpm (160 lpm)
250	66 gpm (250 lpm)
400	105 gpm (400 lpm)
Housing Pressure Rating	
Max. Allowable Working Pressure:	360 psi (25 bar)
Fatigue Pressure	360 psi (25 bar)
Burst Pressure	1450 psi (100 bar)
Element Collapse Pressure Rating	
BN4HC, W/HC	290 psid (20 bar)
BH4HC	3045 psid (210 bar)
Fluid Temperature Range -22°F to 212°F (-30°C to 100°C) Consult HYDAC for applications below -22°F (-30°C)	
Fluid Compatibility Compatible with all hydrocarbon based, synthetic, water glycol, oil/water emulsion, and high water based fluids when the appropriate seals are selected.	
Indicator Trip Pressure	
ΔP = 36.25 psid (2.5 bar) -10% (standard)	
ΔP = 72 psid (5 bar) -10%	
ΔP = 116 psid (8 bar) -10%	
Bypass Valve Cracking Pressure	
ΔP = 50.75 psid (3.5 bar) +10% (standard)	
ΔP = 102 psid (7 bar) +10%	

Model Code

FLN BN/HC 250 D E 10 C 1 . X / 12 - V - B3.5

Filter Type _____
 FLN = Inline filter

Element Media _____
 BH/HC = Betamicon® (High Collapse) BN/HC = Betamicon® (Low Collapse)
 W/HC = Wire Mesh

Size _____
 160, 250, 400

Operating Pressure _____
 D = 360 psi (25 bar)

Port Type / Size _____
 E = 1-1/4" SAE or BSPP Threaded
 F = 1-1/2" SAE or BSPP Threaded
 K = 1-1/2" Flange-SAE-DN 38 Flange

Filtration Rating (micron) _____
 3, 6, 10, 25 = BH/HC, BN/HC 25, 50, 100, 200 = W/HC

Type of ΔP Clogging Indicator _____
 A, B, BM, C, D (Others available upon request)

Type Code _____
 1

Modification Number (the latest version is always supplied) _____

Port Configuration _____
 (omit) = SAE DN Flange
 0 = BSPP Threaded
 12 = SAE Straight Threaded

Seals _____
 (omit) = Nitrile rubber (NBR) (standard)
 V = Fluorocarbon elastomer (FKM)
 EPR = Ethylene propylene rubber (EPR)

Bypass Valve _____
 (omit) = no bypass (optional)
 B3.5 = 50.75 psid (3.5 bar) (standard)
 B7 = 101.5 psid (7 bar) (optional)

Supplementary Details _____
 SO263 = Modification of ON and W/HC elements for Skydrol or HYJET phosphate ester fluids
 L24, L48, L110, L220 = Lamp for D-type clogging indicator (LXX, XX = voltage)
 cRUus = Electrical Indicator with underwriter's approval
 SFREE = Element specially designed to minimize electrostatic charge generation
 T100 = Indicator lockout under 100°F

Replacement Element Model Code

0250 DN 010 BN4HC / V

Size _____
 0160, 0250, 0400

Type _____
 DN

Filtration Rating (micron) _____
 3, 6, 10, 25 = BH4HC, BN4HC
 25, 50, 100, 200 = W/HC

Element Media _____
 BH4HC, BN4HC, W/HC

Seals _____
 (omit) = Nitrile rubber (NBR) (standard)
 V = Fluorocarbon elastomer (FKM)
 EPR = Ethylene propylene rubber (EPR)

Supplementary Details _____
 SO263 = (same as above)
 SFREE = (same as above)

Clogging Indicator Model Code

VM 2 C . X / V

Indicator Prefix _____
 VM = G 1/2 3000 psi

Trip Pressure _____
 2.5 = 36.25 psid (2.5 bar) 5 = 72 psid (5 bar) (optional)

Type of Indicator _____
 A = No indicator, plugged port
 B = Pop-up indicator (auto reset)
 BM = Pop-up indicator (manual reset)
 C = electric switch - SPDT
 D = electric switch & LED light - SPDT

Modification Number _____

Supplementary Details _____

Seals _____
 (omit) = Nitrile rubber (NBR) (standard)
 V = Fluorocarbon elastomer (FKM)
 EPR = Ethylene propylene rubber (EPR)

Light Voltage (D type indicators only) _____
 L24 = 24V L110 = 110V

Thermal Lockout (VM, VD types C, D, J, and J4 only) _____
 T100 = Lockout below 100°F

Underwriters Approval (VM, VD types C, D, J, and J4 only) _____
 cRUus = Electrical Indicator with underwriter's approval
 (For additional details and options, see Section G - Clogging Indicators.)