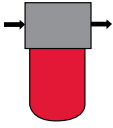


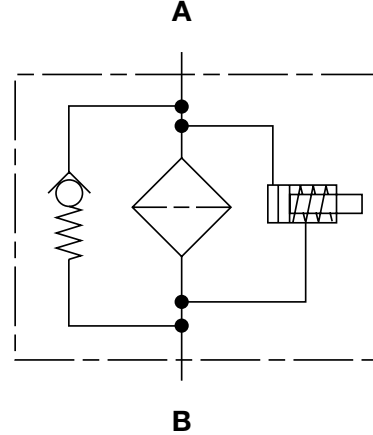
# LF Series

## Inline Filters

1500 psi • up to 180 gpm



## Hydraulic Symbol



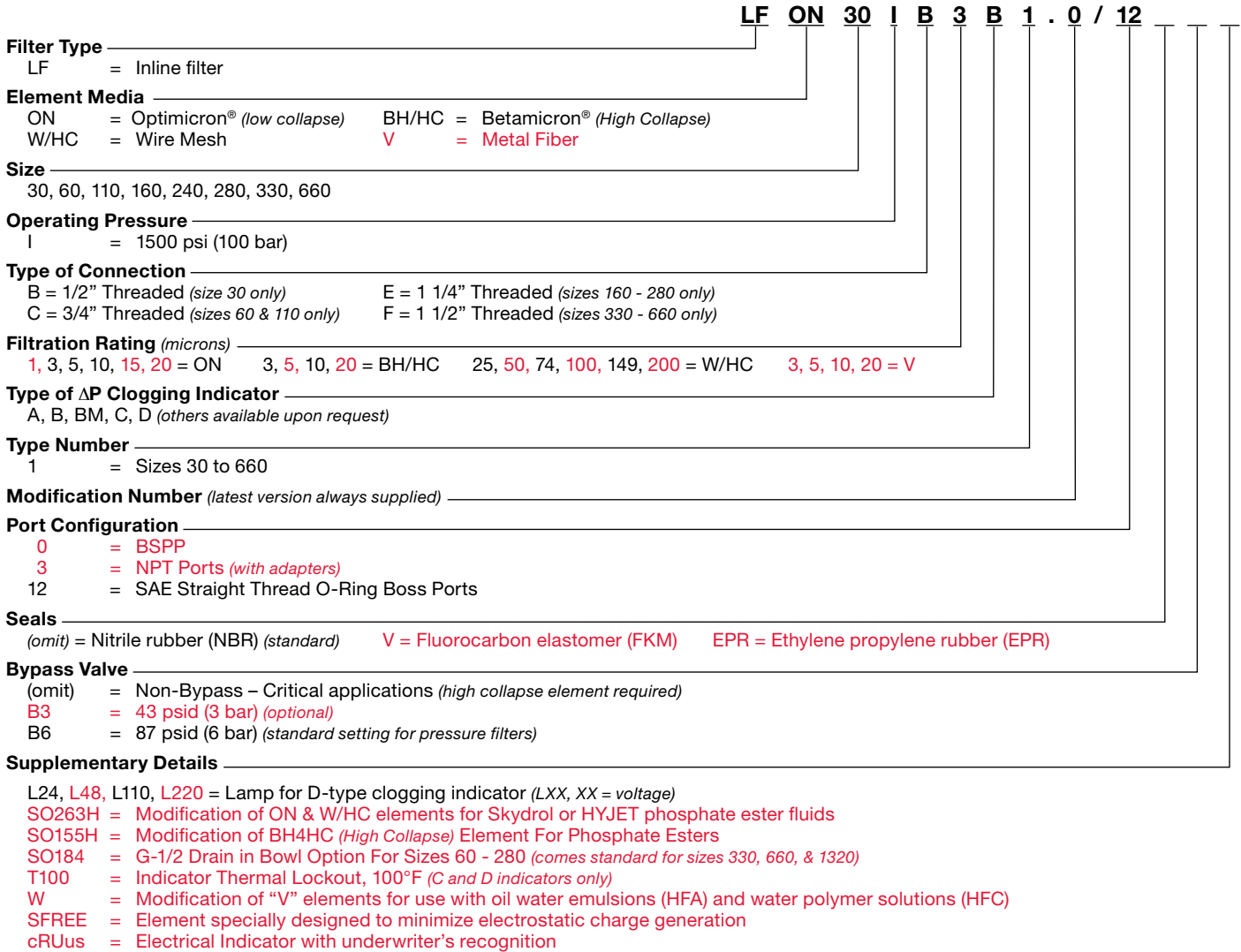
## Features

- Non-welded housing design reduces stress concentrations and prevents fatigue failure.
- Aluminum alloy is water tolerant - anodization is not required for water based fluids (HWBF).
- Inlet & outlet port options include NPT, BSPP and SAE straight thread O-ring boss to allow easy installation with maximum flexibility.
- O-ring seals are used to provide positive, reliable sealing. Choice of O-ring materials (nitrile rubber, fluorocarbon elastomer, ethylene propylene rubber) provides compatibility with petroleum oils, synthetic fluids, water-glycols, oil/water emulsions, and high water based fluids.
- Screw-in bowl mounted below the filter head requires minimal clearance to remove the element for replacement, and contaminated fluid cannot be washed downstream when element is serviced.
- HYDAC differential Pressure Indicators have no external dynamic seal. This results in a high system reliability due to magnetic actuation, thus eliminating a potential leak point.
- A poppet-type bypass valve (optional) is separate from the main flow path, in the filter head, to provide positive sealing during normal operation and fast opening during cold starts and flow surges.
- For special finishes and coatings – consult HYDAC for minimum quantities, availability and pricing.

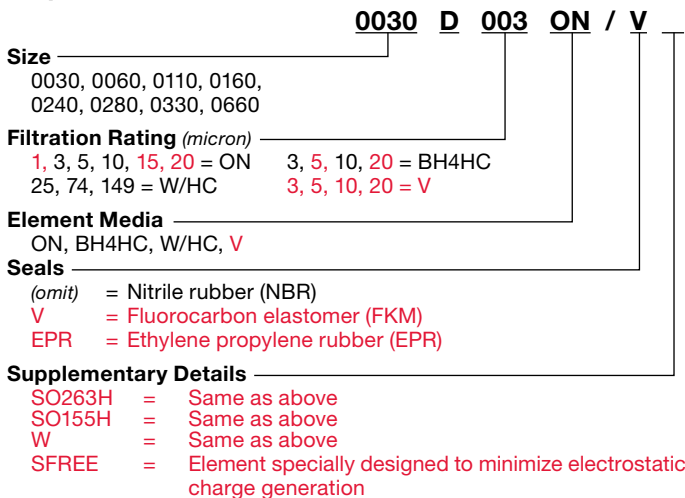
## Technical Specifications

<b>Mounting Method</b>	4 mounting holes	
<b>Port Connection</b>	30 SAE-8, 1/2" NPT, 1/2" BSPP 60/110 SAE-12, 3/4" NPT, 3/4" BSPP 160/240/280 SAE-20, 1 1/4" NPT, 1 1/4" BSPP 330/660 SAE-24, 1 1/2" NPT, 1 1/2" BSPP	
<b>Flow Direction</b>	Inlet: Side	Outlet: Side
<b>Construction Materials</b>	Head Cast Aluminum Bowl Aluminum Extrusion (sizes 30 - 660) Steel (size 280)	
<b>Flow Capacity</b>	30 8 gpm (30 lpm) 60 16 gpm (60 lpm) 110 29 gpm (110 lpm) 160 42 gpm (160 lpm) 240 63 gpm (240 lpm) 280 74 gpm (280 lpm) 330 84 gpm (330 lpm) 660 174 gpm (660 lpm)	
<b>Housing Pressure Rating</b>	Max. Operating Pressure 1500 psi (100 bar) Fatigue Pressure 1500 psi (100 bar) Burst Pressure size 30 5510 psi (380bar) sizes 60 - 660 > 6090 psi (420 bar)	
<b>Element Collapse Pressure Rating</b>	BH4HC, V 3045 psid (210 bar) ON, W/HC 290 psid (20 bar)	
<b>Fluid Temperature Range</b>	-22°F to 212°F (-30°C to 100°C) Consult HYDAC for applications operating below -22°F (-30°C)	
<b>Fluid Compatibility</b>	Compatible with all hydrocarbon based, synthetic, water glycol, oil/ water emulsion, and high water based fluids when the appropriate seals are selected	
<b>ΔP Indicator Trip Pressure</b>	ΔP = 29 psid (2 bar) -10% (optional) ΔP = 72 psid (5 bar) -10% (standard)	
<b>Bypass Valve Cracking Pressure</b>	ΔP = 43 psid (3 bar) +10% (optional) ΔP = 87 psid (6 bar) +10% (standard)	

## Model Code



## Replacement Element Model Code



## Clogging Indicator Model Code

