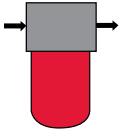


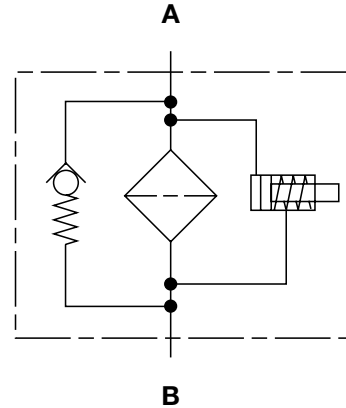
# MFX Series

Inline Filters

725 psi • up to 35 gpm



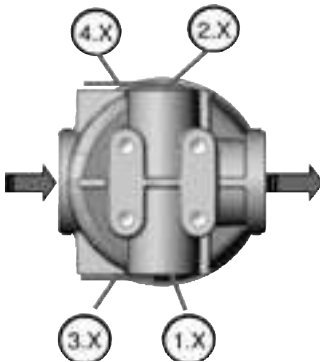
## Hydraulic Symbol



## Features

- Eco-friendly, cost-effective alternative to spin-on filters
- Integrated retrofit protection
- Longer service life of the filter bowl because of fatigue resistant up to 725 psi
- High level of operational safety - Bowl seal and bypass valve are integrated in the filter element and therefore replaced at every element change
- "Missing Element Protection" - cannot operate without element installed.
- Many choices of clogging indicators available
- Various port connection types (SAE-12, G 3/4, SAE-16, G 1, M33x2)

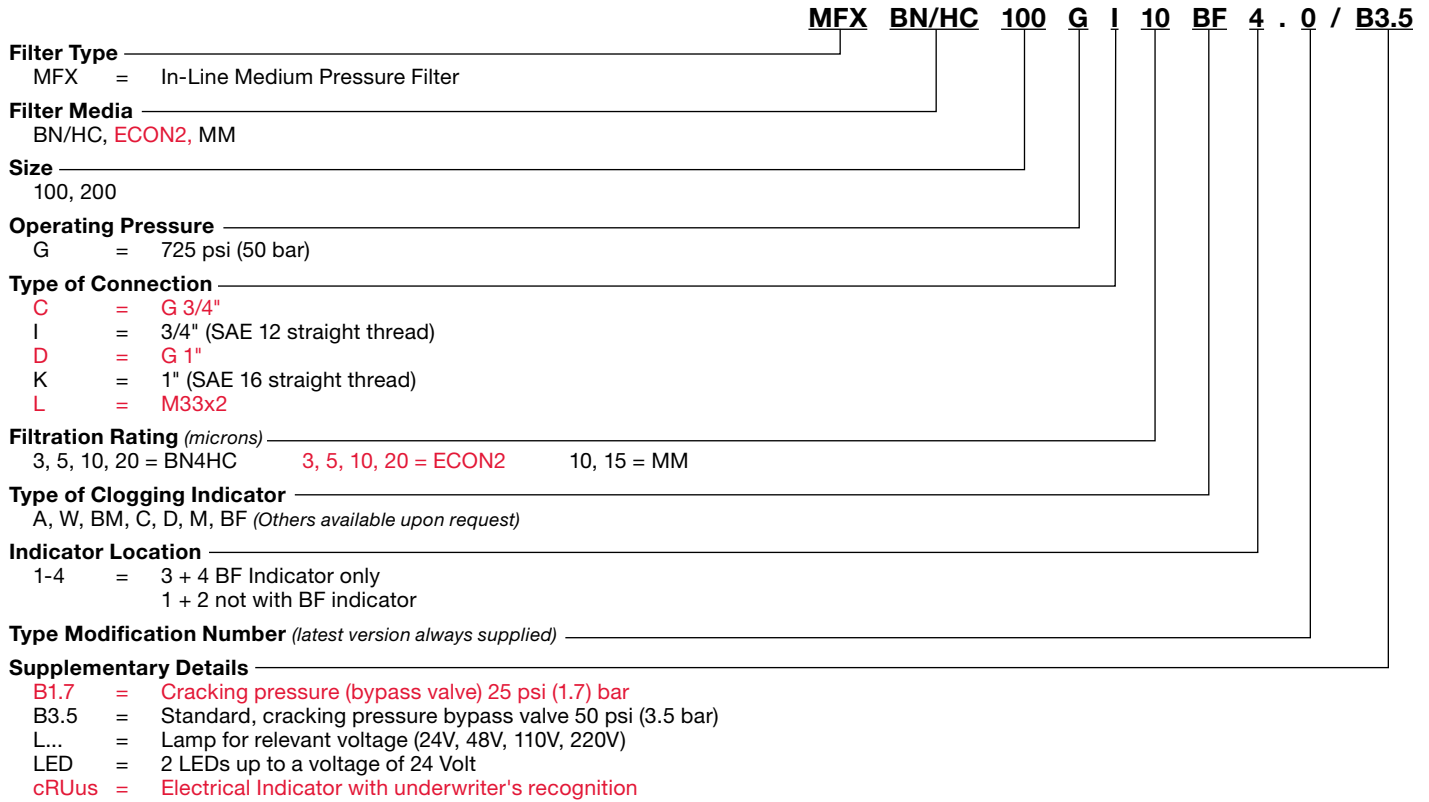
## Clogging Indicator Assignment



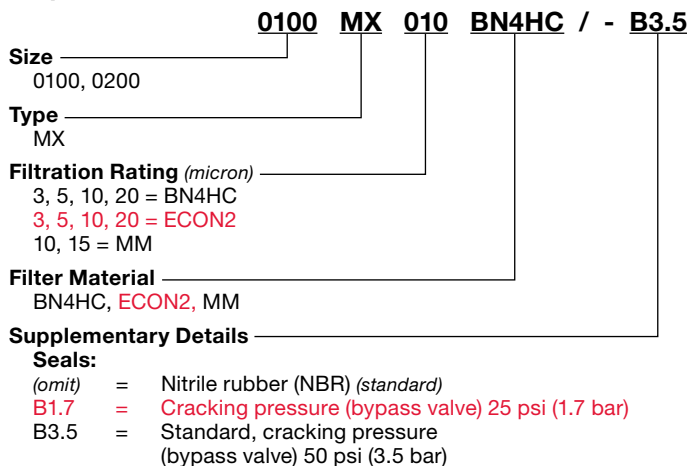
## Technical Specifications

<b>Mounting Method</b>	4 Mounting holes (3/8-16UNC) or (M10-13) Ref. Drawing
<b>Port Connection</b>	SAE-12, G 3/4 SAE-16, G 1, M33x2
<b>Flow Direction</b>	Inlet: Side      Outlet: Side (opposite each other)
<b>Construction Materials</b>	Head: Die Cast Aluminum Bowl: Extruded Aluminum
<b>Flow Capacity</b>	100: 26 gpm (100 lpm) 200: 35 gpm (130 lpm)
<b>Housing Pressure Rating</b>	Max. Allowable Working Pressure: 725 psi (50 bar) Fatigue Pressure: 725 psi (50 bar) @ 1 million cycles Burst Pressure: 2600 psi (183 bar)
<b>Element Collapse Pressure Rating</b>	BN4HC: 290 psid (20 bar) ECON2, MM: 145 psid (10 bar)
<b>Fluid Temperature Range</b>	-22°F to 212°F (-30°C to 100°C) Consult HYDAC for applications below -22°F (-30°C)
<b>Fluid Compatibility</b>	Compatible with all hydrocarbon based, synthetic, and high water based fluids compatible with Nitrile Rubber (NBR) seals
<b>ΔP Indicator Trip Pressure</b>	ΔP = 36.25 psid (2.5 bar) -10% (standard). ΔP = 14.5 psid (1 bar) -10% (optional)
<b>Bypass Valve Cracking Pressure</b>	ΔP = 50.75 psid (3.5 bar) +10% (standard) ΔP = 25 psid (1.7 bar) -10% (optional)

## Model Code



## Replacement Element Model Code



## Clogging Indicator Model Code

