



Nipper technology | Air nippers – manual and automatic operation

Blades for plastic – Series SF-10

Blades for plastic – Series SF-10



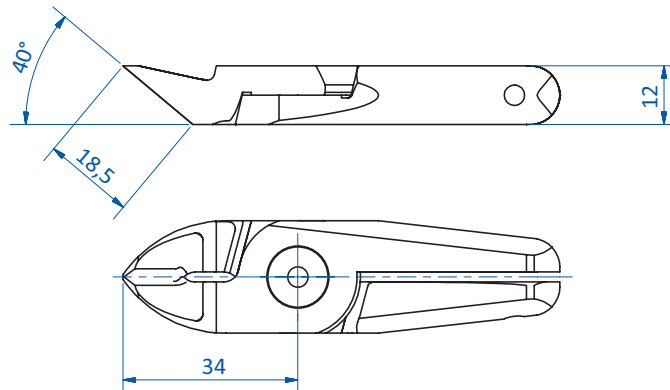
Product notes

- > Forged blades from high alloy steel and heat surface treated
- > Suitable for all nippers of the size 10

Technical data

Item no.	Plug design	Max. opening width [mm]	Max. sprue diameter [mm]	Material	Weight [g]	Air nippers
SF10.A15.35	15° angle	4.5	3	Ferrous alloy	110	GT-NR10L GT-NS10L

Dimensions



SF10.A40.34