



# Nipper technology | Air nippers – manual and automatic operation

Blades for plastic – Series SF-10

## Blades for plastic – Series SF-10



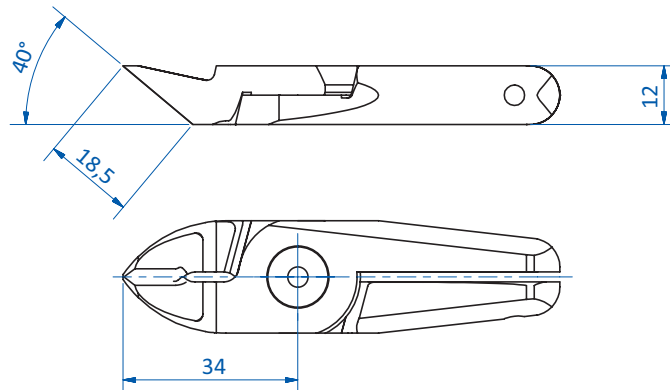
### Product notes

- > Forged blades from high alloy steel and heat surface treated
- > Suitable for all nippers of the size 10

### Technical data

Item no.	Plug design	Max. opening width [mm]	Max. sprue diameter [mm]	Material	Weight [g]	Air nippers
<b>SF10.A40.34</b>	40° angle	6.5	4	Ferrous alloy	112	GT-NR10L GT-NS10L

### Dimensions



SF10.A40.34