



### Blades for plastic – Series SF-30



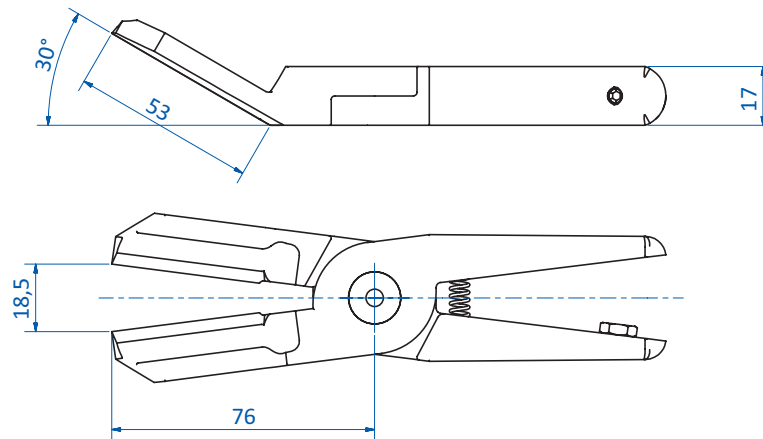
#### Product notes

- > Forged blades from high alloy steel and heat surface treated
- > Suitable for all nippers of the size 30

#### Technical data

Item no.	Plug design	Max. opening width [mm]	Max. sprue diameter [mm]	Material	Weight [g]	Air nippers
SF30.A30.76	30° angle	18.5	9	Ferrous alloy	378	GT-N30 GT-NR30 GT-NS30

#### Dimensions



SF30.A30.76