



Blades for plastic – Series SF-30



Product notes

- > Forged blades from high alloy steel and heat surface treated
- > Suitable for all nippers of the size 30

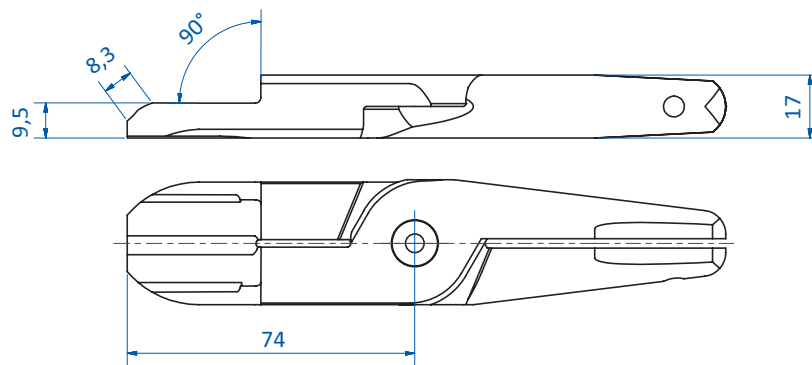
Technical data

Item no.	Plug design	Max. opening width [mm]	Max. sprue diameter [mm]	Material	Weight [g]	Air nippers
SF30.I74	Inline	19	9	Ferrous alloy	464	GT-N30 GT-NR30 GT-NS30

Dimensions



Dimensions



SF30.174