



SK3

Three-way diverter forged ball valve



Dimensions: DN04 to DN50

body: free cutting steel, heat treatable steel, S355J2G3
ball + stem: free cutting steel, stainless steel (1.4571/316Ti)
sealing: plastics

Adapter:

BSP thread, NPT thread, compression fitting light and heavy series, UNC/UNF female thread, bulkhead connection

Pressure range:

up to PN400 (note table of dimensions)

Field of application:

hydraulics, particularly in construction industry and agricultural machinery, mining industry (**Material of seals and body adapted to application!**)

Temperature range:

standard: -20°C to +60°C (-4 to +140°F)

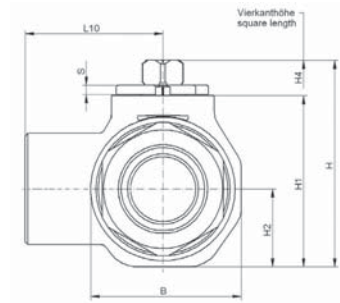
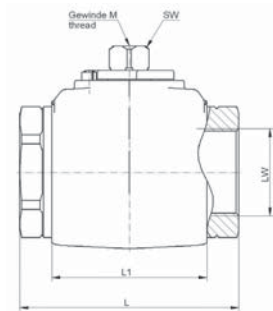
Surface:

black oxide finishing, chrome-VI-free, varnished

Special equipment on request!

- locking device
- actuators
- position switches
- detent kits
- special materials

Body dimensions without cover


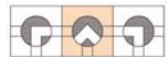
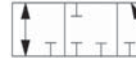







SK3: Dreiwege-Umschalt-Schmiedekugelhahn • Three-way diverter forged ball valve

DN mm	LW mm	PN ¹⁾ bar	L1 mm	B mm	H mm	H1 mm	H2 mm	H4 mm	SW mm	M	S mm
4	Ø 5	400	36	26	43,5	32	13	10,9	9	M5	3
6	Ø 6	400	36	26	43,5	32	13	10,9	9	M5	3
8	Ø 8	400	36	26	43,5	32	13	10,9	9	M5	3
10	Ø 10	400	43	32	49	38	16,5	10,9	9	M5	3
13	Ø 13	350	48	35	51	40	17,5	10,9	9	M5	3
16	Ø 15	350	48	38	62	46	19	15,5	12	M6	3,5
20	Ø 20	350	61	49	73	57	24,5	16	14	M6	4
25	Ø 24	350	65	60	76	60	26,5	16	14	M6	4
32	Ø 32	350	80	76	104	84	38	18,5	17	M8	5
40	Ø 38	350	85	83	111	92	41,5	18,5	17	M8	5
50	Ø 47,5	350	100	100	130	111	50	18,5	17	M8	5

¹⁾

For PN max. and tightening torque see data of the compression fitting manufacturer. • Other face to face dimensions on request. • Reduced press. rating must be taken into consideration acc. to application and materials. • Dimensions subject to change without notice.

Order No.	Design	Operation (Overlap)	Operation symbols	
L (LA)	L-Bohrung (allseits) L-bore (bi-direct.)	0° - 90° (negativ)		
P (PA) ^{1), 2)}	L-Positiv-Bohrung (allseits) L-positive-bore (bi-direct.)	0° - 90° - 180° (positiv)		
T (TA)	T-Bohrung (allseits) T-bore (bi-direct.)	0° - 90° (negativ)		
T180° ²⁾ (TA180°) ²⁾	T-Bohrung (allseits) T-bore (bi-direct.)	0° - 90° - 180° (negativ)		

¹⁾ In Mittelstellung (90°) Druckbeaufschlagung nur am 3. Anschluss möglich. • In middle position (90°) only pressurizing of third port possible.

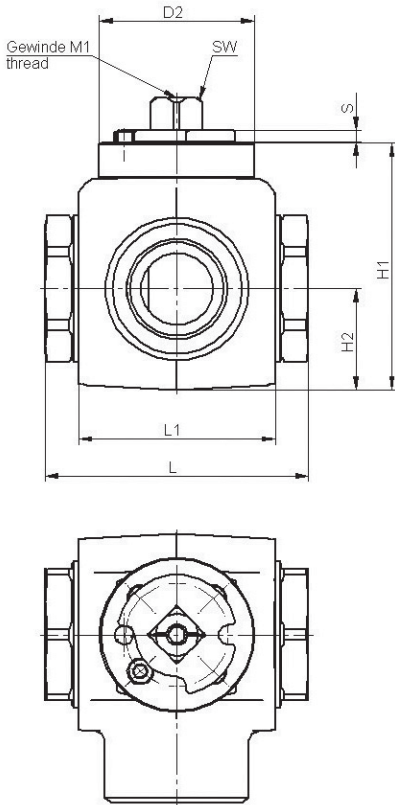
²⁾ Rasterung bei Übergangsstellung empfehlenswert. • For middle position detent kit recommended.

SK3 ball valves are normally outlet sealed. This means, the closed side is only sealed when there is no or less pressure than at the inlet port. A bi-directional sealing system is available on request. With this system the closed port is still sealed even if there is a higher pressure than at the inlet port. Both types can only be used with the middle port as entry! Please note the bi-directional sealing system with your order (e.g. LA, PA, TA or TA180°)!

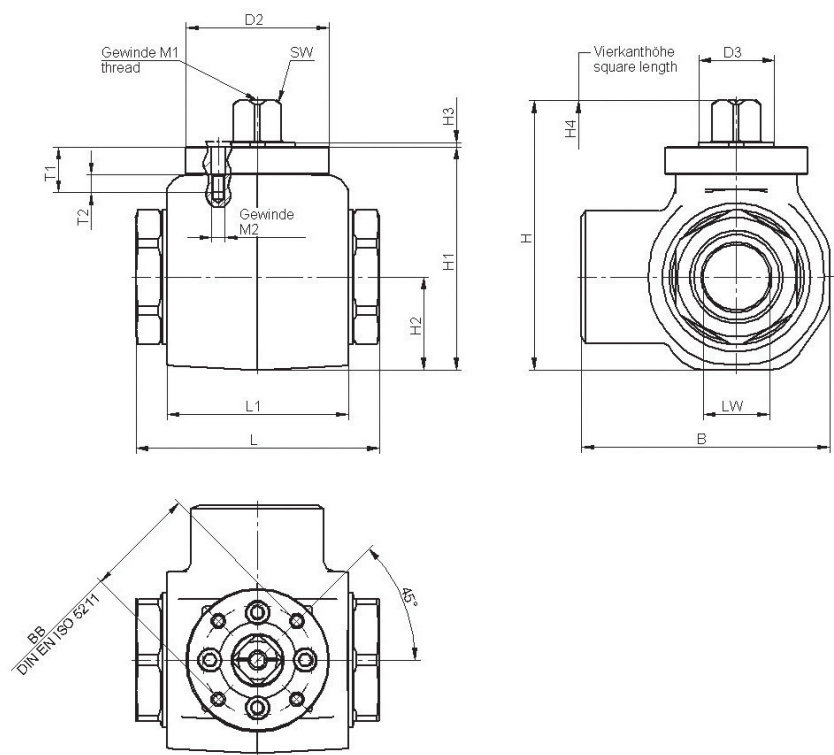
Order code

Serie 100	Anschluss ²⁾	Nennweite	Schaltbild	Werkstoff ³⁾	Zubehör / Sonder ³⁾ siehe Rubrik Zubehör
Series 100	Connection ²⁾	Nominal size	Porting diagram	Material ³⁾	Equipment / specials ³⁾ see category equipment
SK3	42L	40	L (LA)	2146 1	BoDg

Cover for handle mounting (DfG)



Cover for actuator mounting (DfA)



SK3: Dreiwege-Umschalt-Schmiedekugelhahn • Three-way diverter forged ball valve

DN mm	LW mm	PN ¹⁾ bar	L1 mm	B ²⁾ mm	H mm	H1 mm	H2 mm	H4 mm	SW mm	M1	D2 mm	T1 mm	T2 mm	M2	BB		D3 mm	H3 mm
															ISO	mm		
10	Ø 8	350	45	51	61,7	51	22,7	10,3	9	M5	Ø 50	12	6	M5	F03	Ø 36	Ø 25	2
13	Ø 13	350	48,2	55	56,7	46	16,7	10,3	9	M5	Ø 50	12	6	M5	F03	Ø 36	Ø 25	2
20	Ø 20	350	62,2	69	86,8	69,3	26,5	15	14	M6	Ø 55	17,3	7	M5	F04	Ø 42	Ø 30	2
25	Ø 24	350	66,2	74	91,1	73,6	28,5	15	14	M6	Ø 55	17,3	7	M5	F04	Ø 42	Ø 30	2
32	Ø 32	350	80	80	119,3	98,3	39,5	18,5	17	M8	Ø 64,5	20,6	8	M6	F05	Ø 50	Ø 35	2
40	Ø 38	350	85	84	126,3	105,3	42	18,5	17	M8	Ø 64,5	20,6	8	M6	F05	Ø 50	Ø 35	2
50	Ø 47,5	350	100	104	143,8	122,8	52	18,5	17	M8	Ø 64,5	20,6	8	M6	F05	Ø 50	Ø 35	2

¹⁾ For PN max. and tightening torque see data of the compression fitting manufacturer.

²⁾ Block type body • Other face to face dimensions on request. • Reduced press. rating must be taken into consideration acc. to application and materials • Dimensions subject to change without notice.

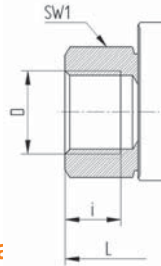
For hydraulic oil: actuator mounting without cover!

• Ordering example:

SK3 28L 25 LA 8123 1 **DfG** (Deckel für Griff • for handle mounting)

SK3 28L 25 LA 8123 1 **DfA** (Deckel für Antrieb • for actuator mounting)

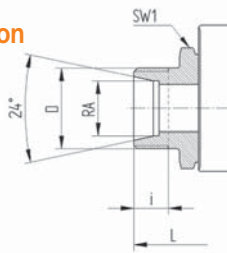
Connection



BSP female three
DIN/ISO 228

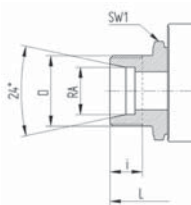
DN	LW	Gewindegröße • Bestellschlüssel Screw size • Order code	Gewindegröße bei DIN2353 Screw size for DIN2353	L	L10	i	SW1	Gewicht Weight
mm	mm		mm	mm	mm	mm	mm	kg
4	Ø 5	G 1/8	—	69	32	8	22	0,4
6	Ø 6	G 1/4	—	69	32	12	22	0,4
10	Ø 7	G 3/8	—	69	37	12	22	0,4
10	Ø 9	G 3/8	—	73	35	12	27	0,55
13	Ø 11,5	G 1/2	—	85	37	14	30	0,7
16	Ø 14	G 1/2	—	84	38	14	32	0,8
20	Ø 18	G 3/4	—	96	47	16	41	1,55
25	Ø 22	G 1	—	113	55	18	46	2,1
32	Ø 22	G 5/4	—	121	55	20	50	2,2
40	Ø 22	G 3/2	—	124	56	22	55	2,4
32	Ø 30	G 5/4	—	110	70	20	60	3,4
40	Ø 35	G 3/2	—	120	74	22	70	4,2
50	Ø 44	G 2	—	140	85	24	85	6,1

For compression fitting, light series
DIN 2353 L



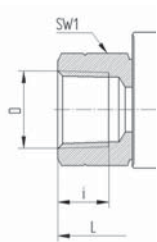
4	Ø 5	6L	M 12x1,5	67	32	7,5	22	0,35
6	Ø 6	8L	M 14x1,5	67	32	7,5	22	0,35
8	Ø 7	10L	M 16x1,5	71	32	8,5	22	0,35
10	Ø 7	12L	M 18x1,5	71	32	8,5	22	0,35
10	Ø 9	12L	M 18x1,5	75	35	8,5	27	0,55
13	Ø 9	15L	M 22x1,5	77	40	9,5	27	0,55
13	Ø 11,5	15L	M 22x1,5	84	42	9,5	30	0,65
16	Ø 11,5	18L	M 26x1,5	84	42	9,5	30	0,65
16	Ø 14	18L	M 26x1,5	83	43	9,5	32	0,8
20	Ø 18	22L	M 30x2	102	47	12	41	1,6
25	Ø 22	28L	M 36x2	108	55	12	46	2,1
32	Ø 22	35L	M 45x2	114	60	13,5	50	2,2
40	Ø 22	42L	M 52x2	114	60	13,5	55	2,4
32	Ø 30	35 L	M 45x2	128	69	13,5	60	3,2
40	Ø 35	42L	M 52x2	133	74	13,5	70	4

For compression fitting, heavy series
DIN 2353 S



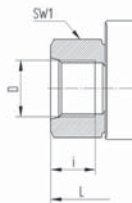
4	Ø 5	6S	M 14x1,5	71,5	32	9,5	22	0,4
4	Ø 5	8S	M 16x1,5	73	32	9,5	22	0,4
6	Ø 6	10S	M 18x1,5	73	32	9,5	22	0,4
8	Ø 7	12S	M 20x1,5	77	32	9,5	22	0,4
10	Ø 9	14S	M 22x1,5	84	35	11,5	27	0,55
13	Ø 11,5	16S	M 24x1,5	87	42	11,5	30	0,65
16	Ø 11,5	20S	M 30x2	91	42	13,5	30	0,7
16	Ø 14	20S	M 30x1,5	91	43	13	32	0,8
20	Ø 18	25S	M 36x2	110	47	15	41	1,6
25	Ø 22	30S	M 42x2	120	55	17	46	2,1
32	Ø 30	38S	M 52x2	140	74	19	50	3,2

NPT female thread
ANSI B 1.20.1



4	Ø 5	1/8 NPT	—	69	32	8	22	0,4
6	Ø 6	1/4 NPT	—	69	32	11,5	22	0,4
10	Ø 9	3/8 NPT	—	73	35	12	27	0,55
16	Ø 11,5	1/2 NPT	—	92	42	15,5	30	0,7
20	Ø 18	3/4 NPT	—	97	47	16	41	1,55
25	Ø 22	1 NPT	—	113	55	19	46	2,1
32	Ø 22	5/4 NPT	—	131	55	19,5	50	2,2
40	Ø 22	3/2 NPT	—	139	74	19,5	55	2,5
32	Ø 30	5/4 NPT	—	115	70	19,5	60	3,4
40	Ø 35	3/2 NPT	—	135	75	19,5	70	4,2
50	Ø 44	2 NPT	—	140	85	20	85	6,2

UN/UNF female thread
SAE J514



6	Ø 6	7/16-20 UNF-2B	—	69	32	11,5	22	0,4
10	Ø 10	9/16-18 UNF-2B	—	75	35	12,7	27	0,55
13	Ø 13	3/4-16 UNF-2B	—	85	37	14,3	30	0,7
20	Ø 20	1 1/16-12 UN-2B	—	96	50	19	41	1,55
25	Ø 24	1 5/16-12 UN-2B	—	114	60	19	46	2,1
32	Ø 32	1 5/8-12 UN-2B	—	110	70	19	60	3,4
40	Ø 24	1 7/8-12 UN-2B	—	117	74	19	70	4,2
50	Ø 48	2 1/2-12 UN-2B	—	140	85	19	80	6,1

Special connections with imperial male thread, metric female or male threads, as well as bulkhead connections on request!