

# SKH

## Forged ball valves



**Dimensions: DN04 to DN50**

body: free cutting steel, heat treatable steel, S355J2G3  
 ball + stem: free cutting steel, stainless steel (1.4571/316Ti)  
 sealing: plastics, metal

**Adapter:**

BSP thread, NPT thread, compression fitting light and heavy series, UNC/UNF female thread, bulkhead connection, welding end and welding taper

**Pressure range:**

up to PN500 (note table of dimensions)

**Field of application:**

hydraulics, paint industries, steam, thermo oil, industrial plants, ship building, paper industry  
 (Coating seals and body materials adapted to application!)

**Temperature range:**

standard: -20°C to +60°C (-4 to +140°F)

**Surface:**

black oxide finishing, chrome-VI-free, varnished

**Special equipment on request!**

- locking device
- actuators
- base plate
- mounting holes
- position switches
- combinations
- detent kits
- special materials



ASKH with welding ends, round body and cover



SKH with cover and base plate

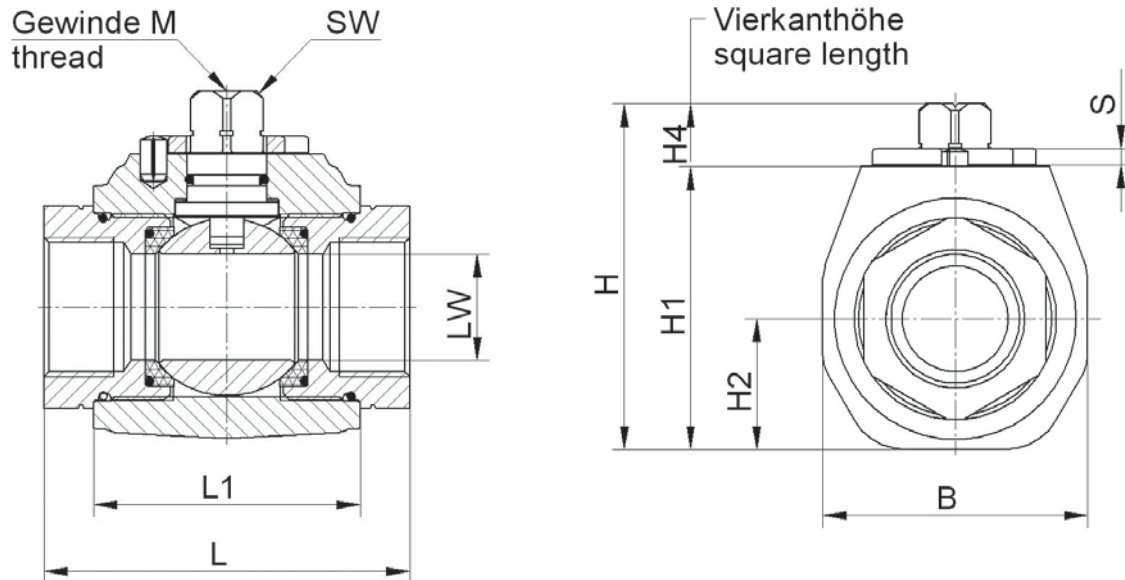


SKH with locking device



SKH with position switch

## Body dimensions without cover



DN mm	LW mm	PN <sup>1), 2)</sup> bar	L1 mm	B mm	H mm	H1 mm	H2 mm	H4 mm	SW mm	M	S mm
4	Ø 5	500	35	33	49,4	38	18,8	11	9	M5	3
6	Ø 6	500	35	33	49,4	38	18,8	11	9	M5	3
8	Ø 8	500	35	33	49,4	38	18,8	11	9	M5	3
10	Ø 10	400	42	35	49,2	38	16,3	10,9	9	M5	3
13	Ø 13	400	47	38	51,2	40	17,3	10,9	9	M5	3
16 <sup>2)</sup>	Ø 15	400	48,2	50 <sup>2)</sup>	62,5	46,3	19	15,5	12	M6	3,5
20 <sup>2)</sup>	Ø 20	400	61	63 <sup>2)</sup>	77,2	60,8	28,5	16	14	M6	4
25 <sup>2)</sup>	Ø 24	400	66,2	68 <sup>2)</sup>	80,7	64,3	29,5	16	14	M6	4
32	Ø 32	400	80	80	104,4	85,4	39,5	18,5	17	M8	5
40	Ø 38 <sup>3)</sup>	400	85	84	111,4	92,4	42	18,5	17	M8	5
50	Ø 47,5	400	100	104	129	110	52	18,5	17	M8	5

1)

For PN max. and tightening torque see data of the compression fitting manufacturer. • Reduced press. rating must be taken into consideration acc. to application and materials. • Dimensions subject to change without notice.

2)

Round body.

3)

Not valid for ASKH, please consider the page welding adapter for further specifications.

### Order code

Serie 050	Anschluss <sup>4)</sup>	Nennweite	Werkstoff <sup>5)</sup>	Zubehör / Sonder <sup>5)</sup> s. Rubrik Zubehör
Series 050	Connection <sup>4)</sup>	Nominal size	Material <sup>5)</sup>	Equipment / specials <sup>5)</sup> see category equipment
SKH	28L	25	8123 1	BofA

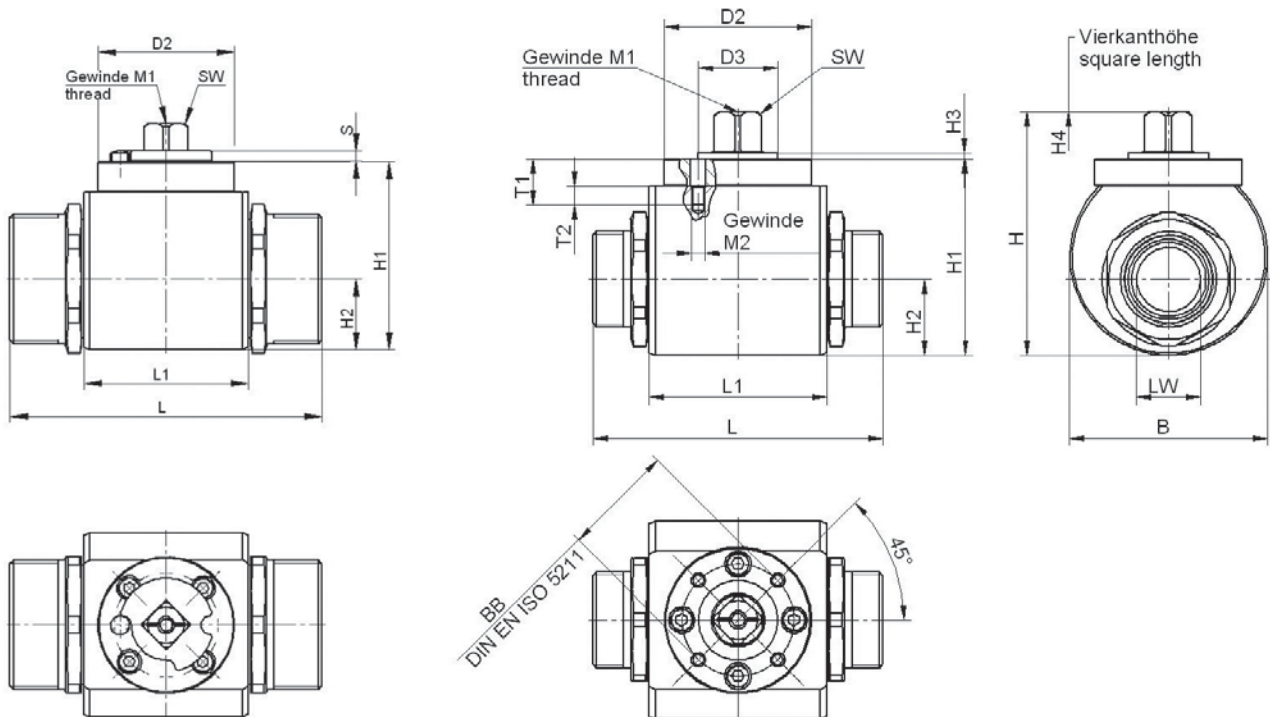
4)

left and right side connectors can be used in any combination

5)

We would be glad helping you to choose proper material and equipment.

## Body dimensions with cover for actuator (DfA) or handle mounting (DfG)



DN mm	LW mm	PN <sup>1)</sup> mm	L1 mm	B mm	H mm	H1 mm	H2 mm	H4 mm	SW mm	M1	D2 mm	T1 mm	T2 mm	M2	BB		D3 mm	H3 mm	S mm
															ISO	mm			
10 <sup>2)</sup>	Ø 10	400	43,2	49,5	56,2	45,5	17,3	10,3	9	M5	Ø 49	12	6	M5	F03	Ø 36	Ø 25	2	3
13 <sup>2)</sup>	Ø 13	400	48,2	54	60	49,3	20	10,3	9	M5	Ø 49	12	6	M5	F03	Ø 36	Ø 25	2	3
16 <sup>2)</sup>	Ø 15	400	48,2	59	67,6	54,8	21	12,3	12	M6	Ø 49	13	6,5	M5	F03	Ø 36	Ø 25	2	3,5
20 <sup>2)</sup>	Ø 20	400	62,2	69	86,8	69,3	26,5	15	14	M6	Ø 55	17,3	7	M5	F04	Ø 42	Ø 30	2	4
25 <sup>2)</sup>	Ø 24	400	66,2	74	91,1	73,6	28,5	15	14	M6	Ø 55	17,3	7	M5	F04	Ø 42	Ø 30	2	4
32	Ø 32	400	80	80	119,3	98,3	39,5	18,5	17	M8	Ø 64,5	20,6	8	M6	F05	Ø 50	Ø 35	2	5
40	Ø 38	400	85	84	126,3	105,3	42	18,5	17	M8	Ø 64,5	20,6	8	M6	F05	Ø 50	Ø 35	2	5
50	Ø 47.5	400	100	104	143,8	122,8	52	18,5	17	M8	Ø 64,5	20,6	8	M6	F05	Ø 50	Ø 35	2	5

1)

For PN max. and tightening torque see data of the compression fitting manufacturer. • Reduced press. rating must be taken into consideration acc. to application and materials. • Dimensions subject to change without notice.

2)

Round body.

For hydraulic oil: actuator mounting without cover!

### Ordering example:

SKH 28L 25 8123 1 **DfG** (Deckel für Griff • for handle mounting)

SKH 28L 25 8123 1 **DfA** (Deckel für Antrieb • for actuator mounting)

# Screw sockets for SKH

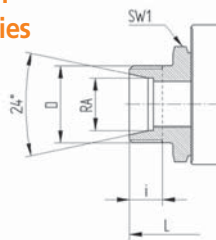
## Connection



### BSP female thread DIN/ISO 228

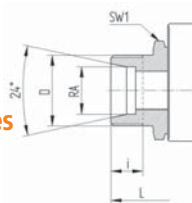
DN	LW	Gewindegröße • Screw size Bestellschlüssel • Order code	Gewindegröße bei DIN2353 • Screw size for DIN2353	L	i	SW1	Gewicht • Weight
mm	mm		mm	mm	mm	mm	kg
4	Ø 5	G 1/8	—	69	8	22	0,35
6	Ø 6	G 1/4	—	69	12	22	0,35
10	Ø 8	G 3/8	—	69	12	22	0,35
10	Ø 10	G 3/8	—	73	12	27	0,5
13	Ø 13	G 1/2	—	85	14	30	0,65
20	Ø 20	G 3/4	—	96	16	41	1,5
25	Ø 24	G 1	—	113	18	46	2
32	Ø 24	G 5/4	—	121	20	50	2,1
40	Ø 24	G 3/2	—	124	22	55	2,1
32	Ø 32	G 5/4	—	110	20	60	3,2
40	Ø 32	G 3/2	—	135	22	60	3,2
40	Ø 38	G 3/2	—	120	22	70	4
50	Ø 38	G 2	—	147	24	75	4,7
50	Ø 48	G 2	—	140	24	85	5,9

### For compression fitting ,light series DIN 2353 L



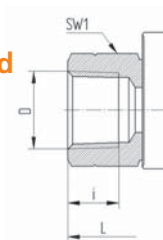
4	Ø 5	6L	M 12x1,5	67	7,5	22	0,3
6	Ø 6	8L	M 14x1,5	67	7,5	22	0,3
8	Ø 8	10L	M 16x1,5	71	8,5	22	0,3
10	Ø 8	12L	M 18x1,5	71	8,5	22	0,3
10	Ø 10	12L	M 18x1,5	75	8,5	27	0,5
13	Ø 10	15L	M 22x1,5	77	9,5	27	0,5
13	Ø 13	15L	M 22x1,5	84	9,5	30	0,6
16	Ø 13	18L	M 26x1,5	84	9,5	30	0,6
20	Ø 20	22L	M 30x2	102	12	41	1,5
25	Ø 24	28L	M 36x2	108	12	46	2
32	Ø 24	35L	M 45x2	114	13,5	50	2,1
40	Ø 24	42L	M 52x2	114	13,5	55	2,2
32	Ø 32	35L	M 45x2	128	13,5	60	3
40	Ø 32	42L	M 52x2	128	13,5	60	3
40	Ø 38	42L	M 52x2	133	13,5	70	3,8

### For compression fitting, heavy series DIN 2353 S



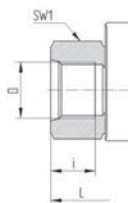
4	Ø 5	8S	M 16x1,5	73	9,5	22	0,35
6	Ø 6	10S	M 18x1,5	73	9,5	22	0,35
8	Ø 8	12S	M 20x1,5	77	9,5	22	0,35
10	Ø 10	14S	M 22x1,5	84	11,5	27	0,5
13	Ø 13	16S	M 24x1,5	87	11,5	30	0,6
16	Ø 13	20S	M 30x2	91	13,5	30	0,65
20	Ø 20	25S	M 36x2	110	15	41	1,5
25	Ø 24	30S	M 42x2	120	17	46	2,1
32	Ø 24	38S	M 52x2	125	19	55	2,3
32	Ø 32	38S	M 52x2	140	19	60	3,1

### NPT female thread ANSI B 1.20.1



4	Ø 5	1/8 NPT	—	69	8	22	0,35
6	Ø 6	1/4 NPT	—	69	11,5	22	0,35
10	Ø 10	3/8 NPT	—	73	12	27	0,5
13	Ø 13	1/2 NPT	—	92	15,5	30	0,65
20	Ø 20	3/4 NPT	—	97	16	41	1,5
25	Ø 24	1 NPT	—	113	19	46	2
32	Ø 24	5/4 NPT	—	131	19,5	50	2,1
40	Ø 24	3/2 NPT	—	139	19,5	55	2,3
32	Ø 32	5/4 NPT	—	115	19,5	60	3,2
40	Ø 38	3/2 NPT	—	135	19,5	70	4
50	Ø 48	2 NPT	—	140	20	85	5,9

### UN/UNF female thread SAE J514



6	Ø 6	7/16 - 20 UNF-2B	—	69	11,5	22	0,35
10	Ø 9	9/16 - 18 UNF-2B	—	75	12,7	27	0,5
13	Ø 11,5	3/4 - 16 UNF-2B	—	85	14,3	30	0,65
20	Ø 18	1 1/16 - 12 UN-2B	—	96	19	41	1,5
25	Ø 22	1 5/16 - 12 UN-2B	—	114	19	46	2
32	Ø 30	1 5/8 - 12 UN-2B	—	122	19	50	2,2
40	Ø 35	1 7/8 - 12 UN-2B	—	128	19	60	2,4
50	Ø 44	2 1/2 - 12 UN-2B	—	140	19	80	5,9