

# Blechsauger

# Metal sheet vacuum cup



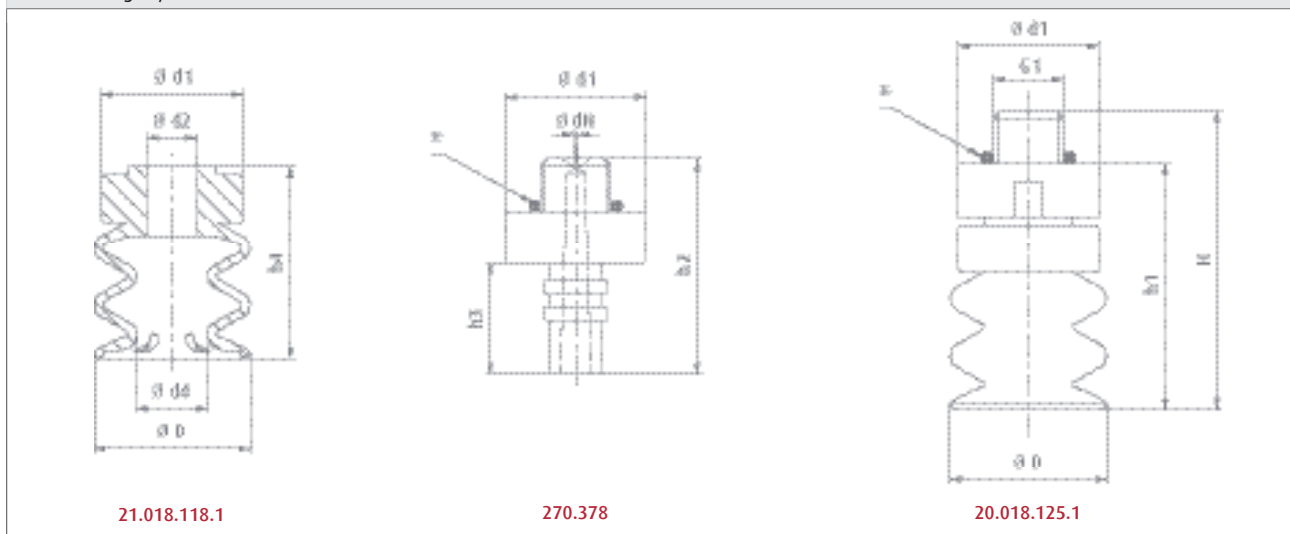
*Metal sheet vacuum cups ø 18 mm for vacuum carpet*

## Technische Daten / Technical Specifications

Artikel-Nummer Item number	Material Material	Härte [° Shore A] Hardness [° Shore A]	Einsatzbereich [° C] Application area [° C]	Gewicht [g] Weight [g]	Hub [mm] Lift [mm]	Passender Halter Suitable Fitting
<b>Vakuumsauger / Vacuum cup</b>						
21.018.118.1	NBR grau / NBR grey	55 ± 5	-30 - 80	3	10	270.378
<b>Einheit: Vakuumsauger + Halter / Assembly: Vacuum cup + fitting</b>						
20.018.125.1	NBR grau / NBR grey	55 ± 5	-30 - 80	5	9,5	--

- > Use as "vacuum carpet" for sheets having perforations
- > Special holders with integrated orifices having ø 0.4 mm prevent the product from falling when cups of the vacuum carpet have nothing to grip.
- > Specified stroke by placing the holder on the product in the suctioned condition.

## Abmessungen / Dimensions

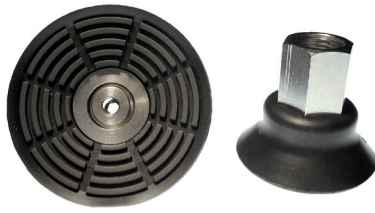


Artikel-Nummer Item number	ø D [mm]	ø d1 [mm]	ø d2 [mm]	ø d4 [mm]	G1	H [mm]	h1 [mm]	h2 [mm]	h3 [mm]	h4 [mm]	Dn [mm]
21.018.118.1	18	16	5	8,1	--	--	28	--	--	22	--
20.018.125.1	18	16	--	--	M8 AG	34	--	--	--	--	--
270.378	--	16	--	--	M8 AG	--	--	24,5	12,5	--	0,4

O-Ring made of NBR

# Blechsauger

# Metal sheet vacuum cup



Flat vacuum cups for metal sheet handling  $\varnothing$  10 - 50 mm

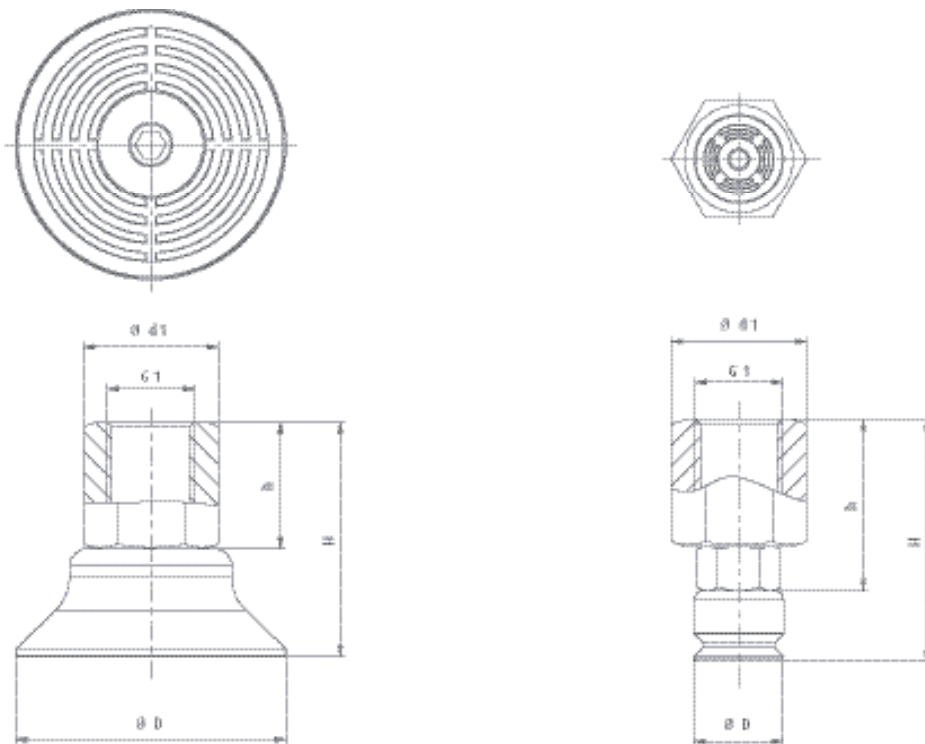
## Technische Daten / Technical Specifications

Artikel-Nummer Item number	Material	Anzahl Abstütz- reihen radial Number of ribs radial	Härte [° Shore A] Hardness [° Shore A]	Einsatz- bereich [° C] Application area [° C]	Gewicht [g] Weight [g]	Hub [mm] Lift [mm]	Passende Ersatzdichtung Suitable replacement sealing
100.010.100.1	NBR schwarz / NBR black	2	60 ± 5	-20 - 100	6	0,5	104.010.065.1
100.020.101.1*	NBR schwarz / NBR black	3	60 ± 5	-20 - 100	7	1,1	104.020.066.1
100.030.102.1*	NBR schwarz / NBR black	4	60 ± 5	-20 - 100	18	1,8	104.030.067.1
100.040.103.1*	NBR schwarz / NBR black	5	60 ± 5	-20 - 100	24	2,5	104.040.068.1
100.050.104.1*	NBR schwarz / NBR black	5	60 ± 5	-20 - 100	44	3,1	104.050.069.1

- > Material: Oil-resistant NBR
- > Used for oily sheets; also suitable for thick foils and paper
- > Highly distinct radial arranged reinforcement ribs prevent the product from slipping, ensure the maximum possible active suction surface (and thus suction force) and prevent "deep drawing" of the sheets.

\* screwed together from below to ensure safe fitting

## Abmessungen / Dimensions



Artikel-Nummer Item number	$\varnothing$ D [mm]	$\varnothing$ d1 [mm]	G1	H [mm]	h [mm]
100.010.100.1	10	SW13	G1/8 IG	27	19
100.020.101.1	20	SW13	G1/8 IG	24	14
100.030.102.1	30	SW13	G1/8 IG	26	14
100.040.103.1	40	SW13	G1/8 IG	30	14
100.050.104.1	50	SW17	G1/4 IG	34	17