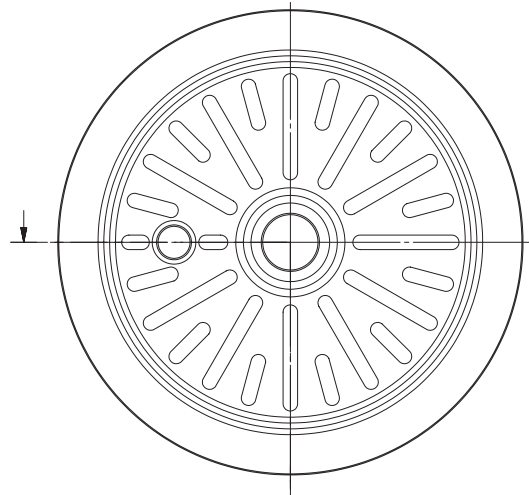
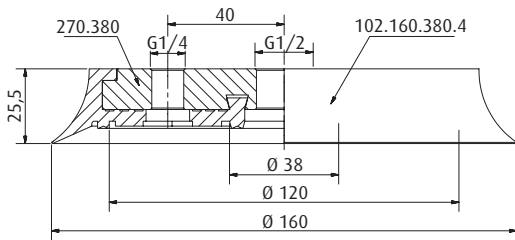


Seperation Vacuum Cup



Art.-Nr. / Item no.	102.160.380.4
Bezeichnung / Description	Trennsauger / Seperation vacuum cup
Material / Material	NR beige
Härte [° Sh] / Hardness [° Sh]	40
Gewicht [g] / Weight [g]	130
Hub [mm] / Lift [mm]	2
Einsatzbereich [° C] / Application area [° C]	-40 - 80
Passende Halter / Suitable Fitting	270.380

Art.-Nr. / Item no.	270.380
Bezeichnung / Description	Halter / Fitting
Material / Material	Aluminium blank
Gewicht [g] / Weight [g]	395

- > Patented flat cups for stacking panels or sheet materials that are somewhat permeable to air
- > Separates the uppermost panel from those below it by means of suction (external chamber) and selective bow-off at the center simultaneously
- > Prevents undesirable pickup of the lower layers
- > Secure internal airtight lips ensure safe and secure handling even on rough surfaces
- > Low-cost replacement of the part subject to wear, since it consists of two components (rubber part and holder)