



Bellows vacuum cups with 1,5 folds

Technische Daten / Technical Specifications

Artikel-Nummer Item number	Material Material	Härte [° Shore A] Hardness [° Shore A]	Einsatzbereich [° C] Application area [° C]	Gewicht [g] Weight [g]	Hub [mm] Lift [mm]	Passender Halter Suitable Fastener
23.011.008.14/2	HNBR gelb / HNBR yellow	55 ± 5	-40 - 160	1	4,5	270.013 (M5-AG) 270.103 (M6-AG) 270.003 (G1/8-AG) 270.015 (G1/8-IG)
23.016.016.14/2	HNBR gelb / HNBR yellow	55 ± 5	-40 - 160	2	6	270.013 (M5-AG) 270.103 (M6-AG) 270.003 (G1/8-AG) 270.015 (G1/8-IG)
23.020.124.14	HNBR gelb / HNBR yellow	55 ± 5	-40 - 160	3	8	270.311 (M5-AG) 270.063 (G1/8-AG) 270.061 (G1/8-IG)
23.030.125.14	HNBR gelb / HNBR yellow	55 ± 5	-40 - 160	8	9	270.030 (G1/8-AG) 270.019 (G1/8-IG) 270.274 (G1/4-AG) 270.275 (G1/4-IG)
23.043.096.14	HNBR gelb / HNBR yellow	55 ± 5	-40 - 160	9	12	270.132 (G1/8-AG) 270.114 (G1/8-IG) 270.190 (G1/4-AG) 270.192 (G1/4-IG)

- > Offers good resistance to heat, oil and chemicals
- > Free of paint wetting impairment substances (PWIS)
- > Margin marks
- > Offers good resistance to ozone weathering

Abmessungen / Dimensions

<p>23.011.008.14/2 23.016.016.14/2</p>	<p>23.020.124.14 23.030.125.14</p>	<p>23.043.096.14</p>
--------------------------------------------	----------------------------------------	----------------------

Artikel-Nummer Item number	ø D [mm]	ø d1 [mm]	ø d2 [mm]	d3 [mm]	d4 [mm]	H [mm]
23.011.008.14/2	12	10	5	12	4,5	16
23.016.016.14/2	16	10	5	17	8	19
23.020.124.14	22	15	4,5	24	10	20
23.030.125.14	32	20	6	36	17	30
23.043.096.14	43	18	8	46	23	25



Bellows vacuum cups with 2,5 folds

Technische Daten / Technical Specifications

Artikel-Nummer Item number	Material Material	Härte [° Shore A] Hardness [° Shore A]	Einsatzbereich [° C] Application area [° C]	Gewicht [g] Weight [g]	Hub [mm] Lift [mm]	Passender Halter Suitable Fastener
21.005.057.14	HNBR gelb / HNBR yellow	55 ± 5	-40 - 160	1	3	270.134 (M5-AG), 270.347 (M5-IG), 270.104 (M6-AG)
21.007.089.14	HNBR gelb / HNBR yellow	55 ± 5	-40 - 160	1	3	270.010 (M5-AG), 270.005 (M5-IG), 270.009 (G1/8-AG), 270.007 (G1/8-IG)
21.009.002.14	HNBR gelb / HNBR yellow	55 ± 5	-40 - 160	1	2	270.013 (M5-AG), 270.103 (M6-AG), 270.003 (G1/8-AG), 270.015 (G1/8-IG)
21.012.135.14	HNBR gelb / HNBR yellow	55 ± 5	-40 - 160	1	8	270.013 (M5-AG), 270.103 (M6-AG), 270.003 (G1/8-AG), 270.015 (G1/8-IG)
21.014.053.14	HNBR gelb / HNBR yellow	55 ± 5	-40 - 160	1	9	270.134 (M5-AG), 270.104 (M6-AG), 270.033 (G1/8-AG), 270.035 (G1/8-IG)
21.018.010.14	HNBR gelb / HNBR yellow	55 ± 5	-40 - 160	2	9	270.013 (M5-AG), 270.103 (M6-AG), 270.003 (G1/8-AG), 270.015 (G1/8-IG)
21.020.016.14/2	HNBR gelb / HNBR yellow	55 ± 5	-40 - 160	2	9	270.013 (M5-AG), 270.103 (M6-AG), 270.003 (G1/8-AG), 270.015 (G1/8-IG)
21.032.075.14/3	HNBR gelb / HNBR yellow	55 ± 5	-40 - 160	10	13	270.132 (G1/8-AG), 270.114 (G1/8-IG), 270.190 (G1/4-AG), 270.192 (G1/4-IG)
21.043.049.14	HNBR gelb / HNBR yellow	55 ± 5	-40 - 160	18	19	270.132 (G1/8-AG), 270.114 (G1/8-IG), 270.190 (G1/4-AG), 270.192 (G1/4-IG)
21.060.051.14	HNBR gelb / HNBR yellow	55 ± 5	-40 - 160	43	25	270.281 (G1/4-AG), 270.282 (G1/4-IG)

- > Offers good resistance to heat, oil and chemicals
- > Free of paint wetting impairment substances (PWIS)
- > Margin marks
- > Offers good resistance to ozone weathering

Abmessungen / Dimensions

21.005.057.14	21.007.089.14	21.014.053.14	21.009.002.14 21.012.135.14 21.018.010.14 21.020.016.14/2 21.032.075.14/3 21.043.049.14 21.060.051.14			
Artikel-Nummer Item number	Ø D [mm]	Ø d1 [mm]	Ø d2 [mm]	d3 [mm]	d4 [mm]	H [mm]
21.005.057.14	5	7	4	6,7	2,7	14
21.007.089.14	7	7,5	4	7	3	10
21.009.002.14	9	9	5	9	4	15
21.012.135.14	12	10	5	12	5	21
21.014.053.14	14	8	4	15	5,5	18
21.018.010.14	18	10	4,5	18	7	22
21.020.016.14/2	20	10	4,5	20	10	23
21.032.075.14/3	32	18	8	32	17	36
21.043.049.14	42	20	8	42	16	45
21.060.051.14	60	22	8	60	28	55



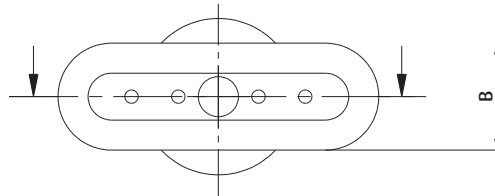
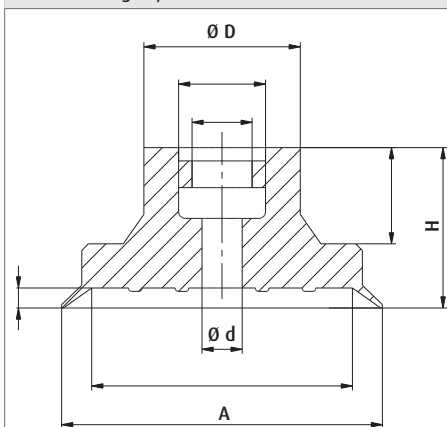
Oval vacuum cups

Technische Daten / Technical Specifications

Artikel-Nummer Item number	Material Material	Härte [° Shore A] Hardness [° Shore A]	Einsatzbereich [° C] Application area [° C]	Gewicht [g] Weight [g]	Hub [mm] Lift [mm]	passende Halter Suitable Fastener
132.4x2.031.14	HNBR gelb / HNBR yellow	55 ± 5	-40 - 160	< 1	0,3	270.014 (M3-AG), 270.111 (M4-AG), 270.300 (M5-AG)
132.7x4.034.14	HNBR gelb / HNBR yellow	55 ± 5	-40 - 160	< 1	0,4	270.014 (M3-AG), 270.111 (M4-AG), 270.300 (M5-AG)
132.15x5.067.14	HNBR gelb / HNBR yellow	55 ± 5	-40 - 160	< 1	0,4	270.431 (G1/8-AG)
132.24x8.066.14	HNBR gelb / HNBR yellow	55 ± 5	-40 - 160	1	0,5	270.431 (G1/8-AG)
132.36x12.068.14	HNBR gelb / HNBR yellow	55 ± 5	-40 - 160	2	1,2	270.431 (G1/8-AG)
132.45x15.064.14	HNBR gelb / HNBR yellow	55 ± 5	-40 - 160	4	1,5	270.097 (G1/4-AG), 270.098 (G1/4-IG)

- > Offers good resistance to heat, oil and chemicals
- > Free of paint wetting impairment substances (PWIS)
- > Margin marks
- > Offers good resistance to ozone weathering

Abmessungen / Dimensions



Artikel-Nummer Item number	A [mm]	B [mm]	H [mm]	ø D [mm]	ø d [mm]
132.4x2.031.14	4	2	6	6	1,2
132.7x4.034.14	7	4	6	6	1,4
132.15x5.067.14	15	5	12	8	3
132.24x8.066.14	24	8	12	12	3
132.36x12.068.14	36	12	12	12	4
132.45x15.064.14	45	15	21	17	4