



Heavy-duty ejectors

Vacuum generation for use under harsh operating conditions



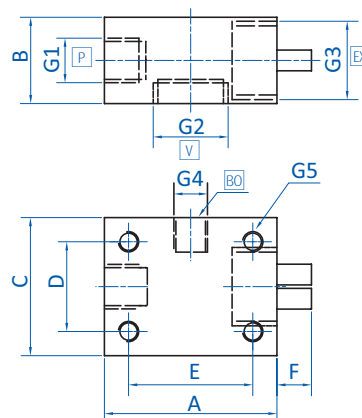
Product notes

- > Robust and compact aluminum housing
- > Compensation of compressed air fluctuations between 3 and 6 bar (43.5 and 87 psi)
- > Additional inlet for blow-off for fast product release or vacuum switch connection for process monitoring (65.111, 65.130)
- > Rectangular design enables block assembly in centralized or decentralized vacuum systems

Technical data

Item no.	Optimal operating pressure [bar (psi)]	Max. operating pressure [bar (psi)]	Final vacuum [%]	Suction power [Nl/min]	Air consumption to 4 bar (58 psi) [Nl/min]	Evacuation time 0 to 70 % [s/l]	Weight [g]	Suitable accessories
65.130	4 (58)	6 (87)	85	130	240	0.7	225	Silencer: 72.033

Dimensions



65.130

P = Compressed air connection (P) V = Vacuum connection Ex = Exhaust BO = Blow-off (65.111 and 65.130)

Item no.	G1	G2	G3	G4	G5	A [mm]	B [mm]	C [mm]	D [mm]	d1 [mm]	E [mm]	F [mm]
65.130	G1/4	G1/2	G1	G1/8	M6	60	40	40	25	--	34	--