



Multi-chamber ejectors



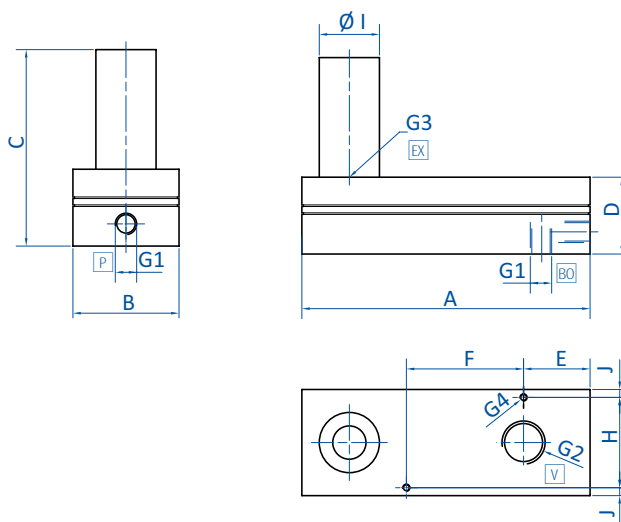
Product notes

- > Handling of air-permeable products, or for high leakages
- > High suction power for short evacuation times and fast vacuum build-up
- > Particularly fast product release due to additional compressed air inlet for blow-off (65.410)
- > Noise-optimized operation due to open silencer
- > Industry examples: Packaging and printing

Technical data

Item no.	Optimal operating pressure [bar (psi)]	Max. operating pressure [bar (psi)]	Final vacuum [%]	Suction power [NI/min]	Air consumption at 6 bar (87 psi) [NI/min]	Evacuation time 0 to 70 % [s/l]	Weight [g]
65.410	6 (87)	7 (101.5)	85	320	95	1.15	1,078

Dimensions



65.410

P = Compressed air connection
 V = Vacuum connection
 EX = Exhaust
 B0 = Compressed air connection for blow-off

Item no.	G1	G2	G3	G4	A [mm]	B [mm]	C [mm]	D [mm]	d1 [mm]	E [mm]	F [mm]	H [mm]	Ø I [mm]	J [mm]
65.410	G1/4	G1/2	G1/2	M4	182	67	124.5	49	--	41.5	74	57	38	5