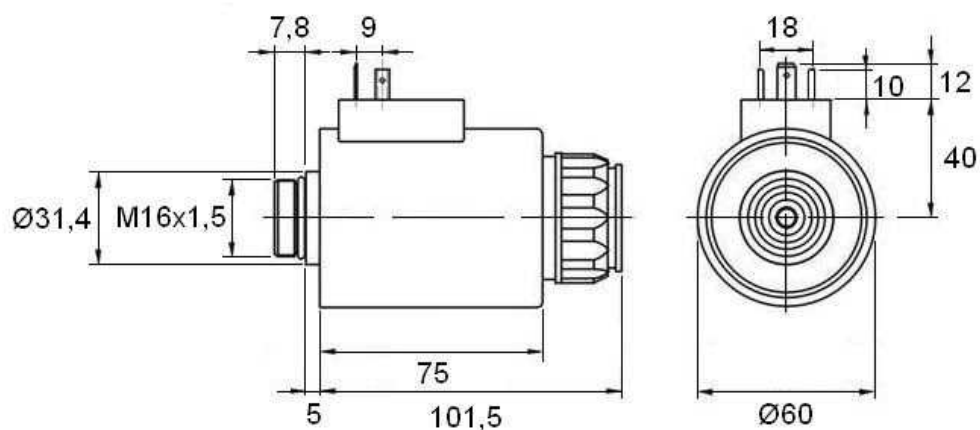
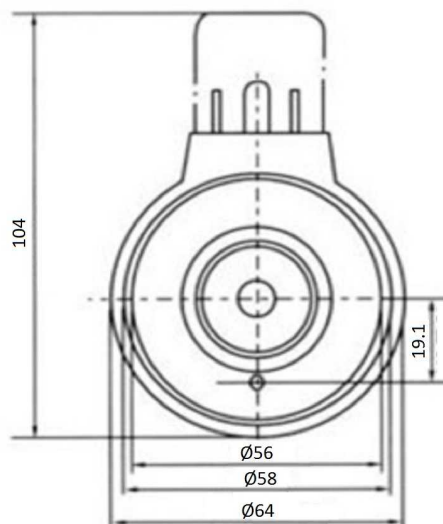
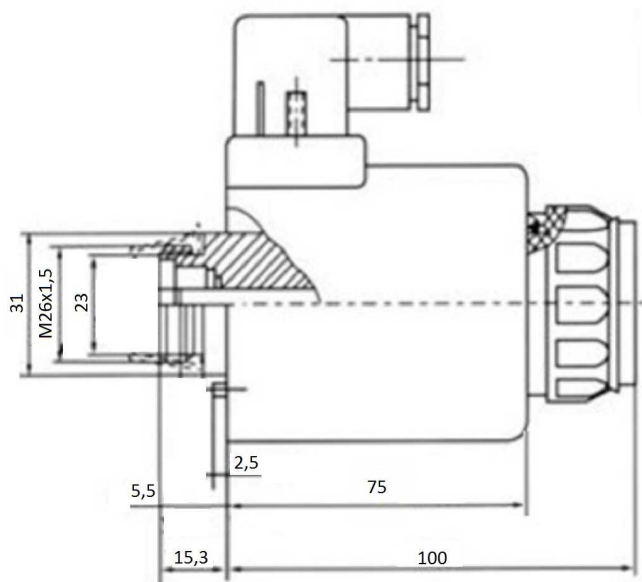


## Bobinas NG10

### MR-10- ... H:



### MR-10- ..... H 1:



**Potencia Consumida**  $\leq 37$  W

**Clase de Aislamiento** F

**Presión de Trabajo** 210 bar

**ED 100% (servicio continuo)**

**Clase IP** IP 65

## Bobinas NG10

Artículo	Tamaño	Voltaje (V)	f (Hz)	Ø núcleo
<b>MR-10-12CC H</b>	NG-10	12 VDC		31,4mm
<b>MR-10-24CC H</b>	NG-10	24 VDC		31,4mm
<b>MR-10-110AC H</b>	NG-10	110 VAC	50	31,4mm
<b>MR-10-220AC H</b>	NG-10	220 VAC	50	31,4mm
<b>MR-10-12CC H 1</b>	NG-10	12 VDC		31mm
<b>MR-10-24CC H 1</b>	NG-10	24 VDC		31mm
<b>MR-10-110CA H 1</b>	NG-10	110 VAC	50	31mm
<b>MR-10-220CA H 1</b>	NG-10	220 VAC	50	31mm
<b>MR-10-48CC H 1</b>	NG-10	48 VDC		31mm
<b>MR-10-12060CA H</b>	NG-10	120VAC	60	