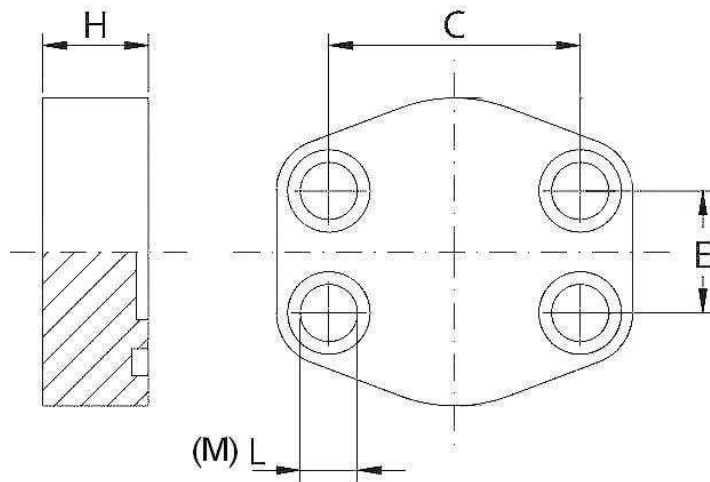


# BRIDA SAE HIDRAFLUID

## BRIDA CIEGA



ITEM	Serie	SIZE	OR 1	ØL	C	E	H	M
<b>BC30001</b>	3000	1/2"	18.64X3.53	9	38,10	17,48	16	M8x30
<b>BC30002</b>	3000	3/4"	24.99X3.53	11	47,63	22,23	18	M10x35
<b>BC30003</b>	3000	1"	32.92X3.53	11	52,37	26,19	19	M10x35
<b>BC30004</b>	3000	1"1/4	37.70X3.53	11,5	58,72	30,18	18	M10x40
<b>BC30005</b>	3000	1"1/2	47.22X3.53	13,5	69,85	35,71	20	M12x45
<b>BC30006</b>	3000	2"	56.74X3.53	13,5	77,77	42,88	20	M12x45
<b>BC30007</b>	3000	2"1/2		13,5	88,90	50,80	20	M12x45
<b>BC30008</b>	3000	3"		17,5	106,38	61,93	24	M16x50
<b>BC30009</b>	3000	3"1/2		17,5	120,65	69,85	22	M16x50
<b>BC30010</b>	3000	4"		17,5	130,18	77,77	25	M16x50
<b>BC30011</b>	3000	5"		17,5	152,40	92,08	28	M16x50
<b>BC60001</b>	6000	1/2"	18.64X3.53	9	40,49	18,24	16	M8x30
<b>BC60002</b>	6000	3/4"	24.99X3.53	11	50,80	23,80	19	M10x35
<b>BC60003</b>	6000	1"	32.92X3.53	13	57,15	27,76	24	M12x45
<b>BC60004</b>	6000	1"1/4	37.70X3.53	15	66,68	31,75	27	M14x45
<b>BC60005</b>	6000	1"1/2	47.22X3.53	17	79,38	36,50	30	M16x50