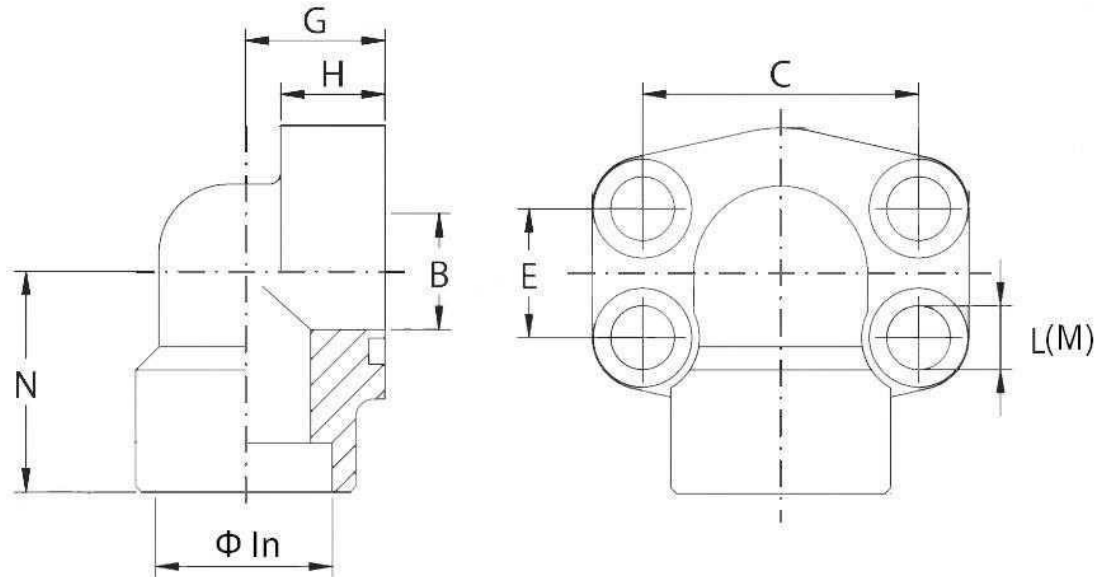


BRIDA SAE HIDRAFLUID BRIDA CODO 90° SOLDABLE HEMBRA GAS



ITEM	SERIE	Ø in	SIZE	OR 1	C	E	M	N
BWG30001-90	3000	21.6	1/2"	18.64X3.53	38,10	17,48	M8x30	37
BWG30002-90	3000	17.5	1/2"	18.64X3.53	38,10	17,48	M8x30	37
BWG30003-90	3000	27.2	3/4"	24.99X3.53	47,63	22,23	M10x35	38
BWG30004-90	3000	34	1"	32.92X3.53	52,37	26,19	M10x35	43
BWG30005-90	3000	42.8	1"1/4"	37.70X3.53	58,72	30,18	M10x40	51
BWG30006-90	3000	48.6	1"1/2"	47.22X3.53	69,85	35,71	M12x45	56
BWG30007-90	3000	61	2"	56.74X3.53	77,77	42,88	M12x45	65
BWG60001-90	6000	21.6	1/2"	18.64X3.53	40,49	18,24	M8x30	37
BWG60002-90	6000	17.5	1/2"	18.64X3.53	40,49	18,24	M8x30	37
BWG60003-90	6000	27.2	3/4"	24.99X3.53	50,80	23,80	M10x40	43
BWG60004-90	6000	34	1"	32.92X3.53	57,15	27,76	M12x45	51
BWG60005-90	6000	42.8	1"1/4"	37.70X3.53	66,68	31,75	M14x45	56
BWG60006-90	6000	48.6	1"1/2"	47.22X3.53	79,38	36,5	M16x50	65