



Quick-change systems | Accessories - Series SR

Electric plug connectors for SR90 and SR150

Electric plug connectors for SR90 and SR150



Robot side 20.535 | 20.536



Gripper side 20.537 | 20.538

Product notes

- > Electronic interface between robot and gripper
- > 15 pin SUB-D plug
- > Max. cable cross section 0.14 mm² based on 16 - 18-wire cable

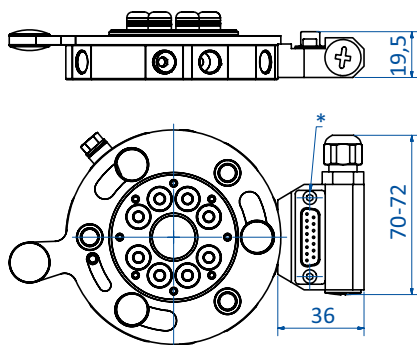
Technical data

Item no.	Suitable quick-change systems	Plug Design	Number of Pins	Operating voltage [VDC]	Power consumption [W]	Weight [g]	Suitable plug
20.535	SR90-A, SR150-A, SR90-A-SL, SR150-A-SL	male	15	24	0.5	42	20.505
20.536	SR90-B, SR150-B	female	15	24	0.5	41	20.505
20.537	SR50-A, SR50-A-SL, SR50-A-MV, SR50-A-SL-MV	male	9	24	0.5	42	20.505
20.538	SR50-B	female	9	24	0.5	41	20.505

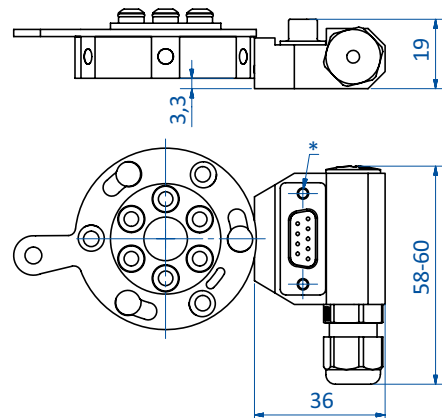
Series SR with electric connectors



Dimensions



20.535 | 20.536



20.537 | 20.538

* = Remove plug connection for cable installation